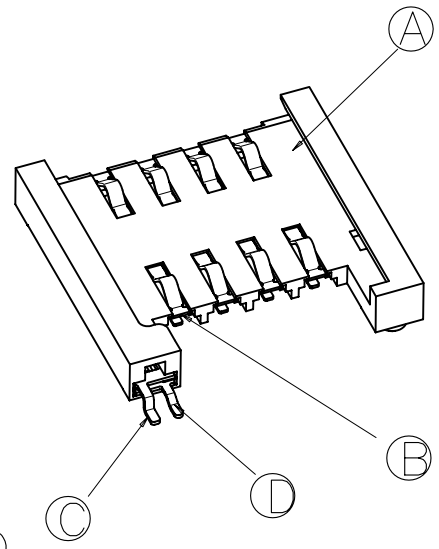
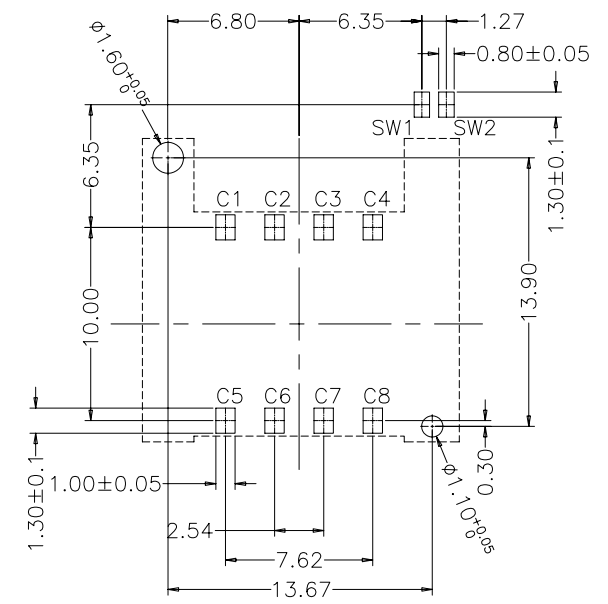


REV.	DATE	ECN.NO	MODIFY.CONTENT

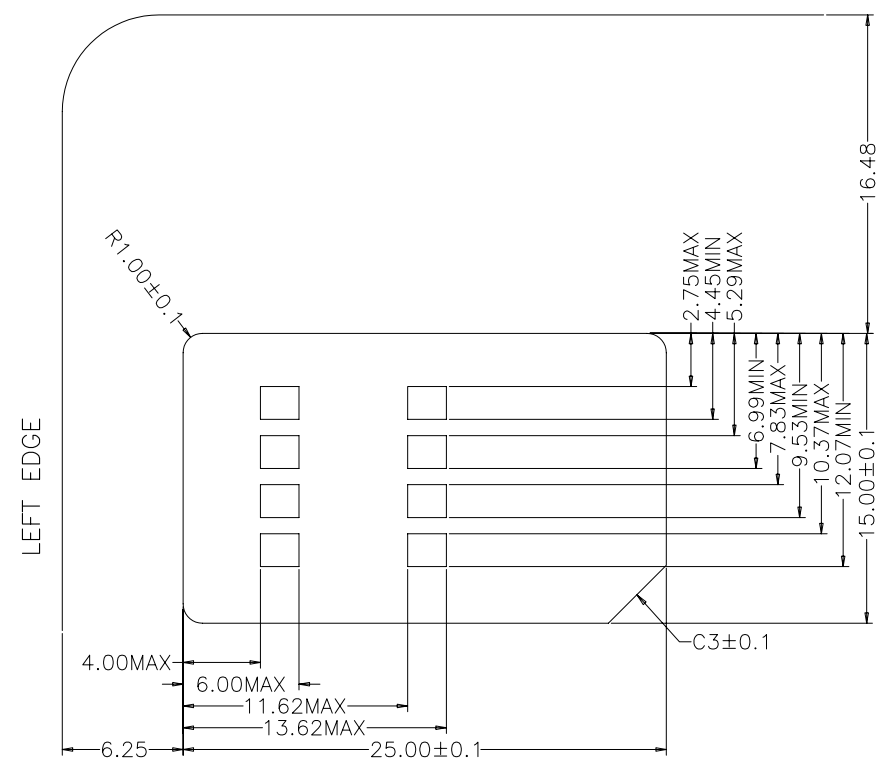


SIM CARD CONTACT LOCATION (GSM11.11)

UPPER EDGE



REFERENCE PCB LAYOUT



THICKNESS 0.76±0.08

Ⓐ	CD TERMINAL B	C5210R	1 PCS	
Ⓒ	CD TERMINAL A	C5210R	1 PCS	
Ⓑ	TREMINAL	C5210R	8 PIN	
Ⓐ	HOUSING	LCP	1 PCS	
ITEM	PART NAME	MATERIAL	Q'TY	REMARK

GENERAL TOLERANCE				UNITS	NAME(INTENDED USE)	
SELECT	✓			mm	SIM CARD 8PIN CONNECTOR	
ON.	TOL	1	2	3	PART NO.(INTENDED USE)	
X.XXX	±0.05	±0.05	±0.15		SI48C-08200(H=2.6mm)	
X.XX	±0.08	±0.13	±0.25		SI51C-08200(H=3.1mm)	
X.X	±0.15	±0.25	±0.50		APPD:	DWG NO.:
X.	±0.20	±0.38	±1.00		CHKD:	ATOM-A02943
ANGLE	±2°				DR: David	SCALE SHEET REV.
						1:1 2/2 A1

