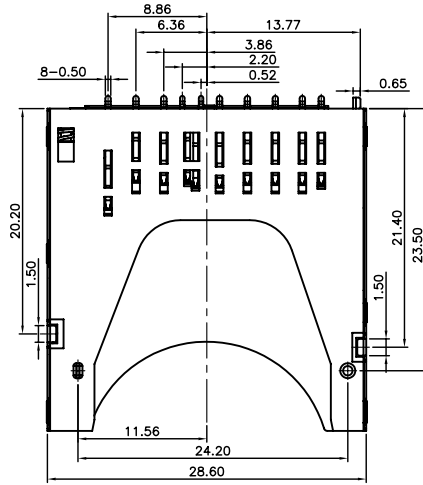
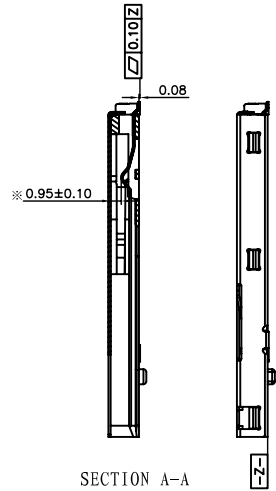
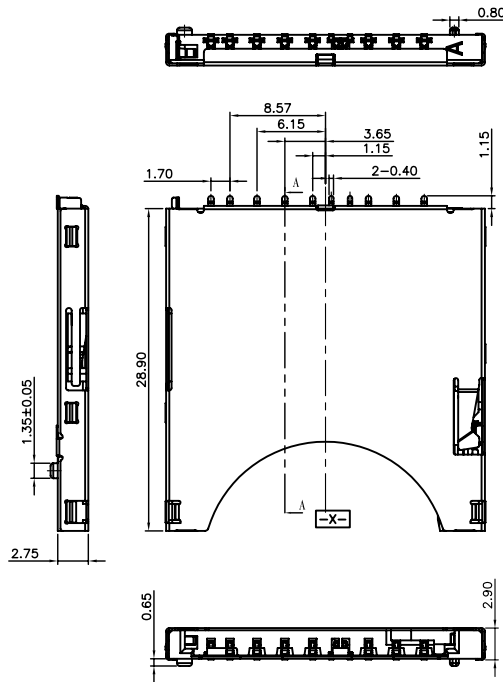


REV	DATE	ECN NO.	MODIFICATION	APPROVER
C	2011/05/09	RD00311050901	增加产品电镀规格, 详见"ⓐ"处	HYQ
D	2012/04/20	RD00312042001	依实物修改图面尺寸, 详见"ⓐ"处	Jason
E	2013/10/11	RD00313101101	依实物修改图面尺寸, 详见"ⓐ"处	Jason

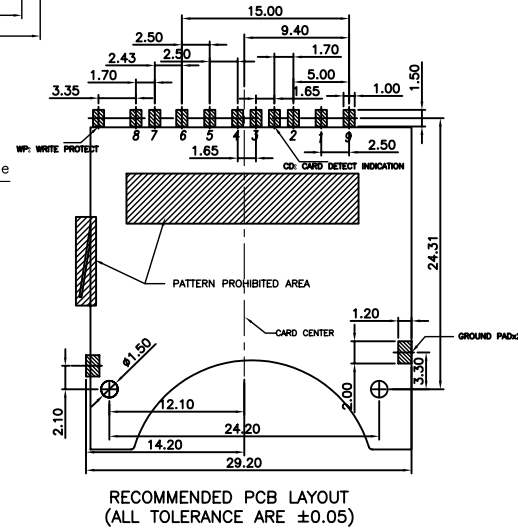
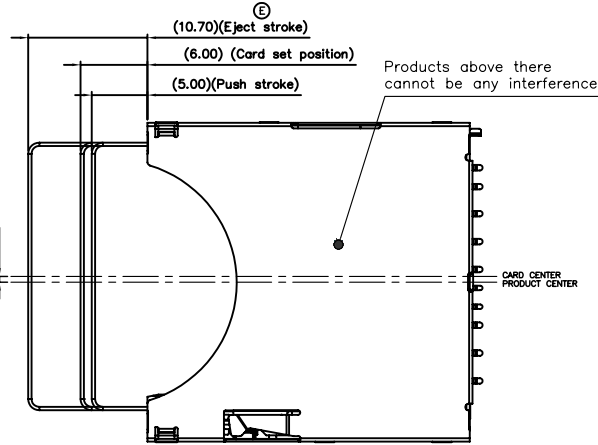
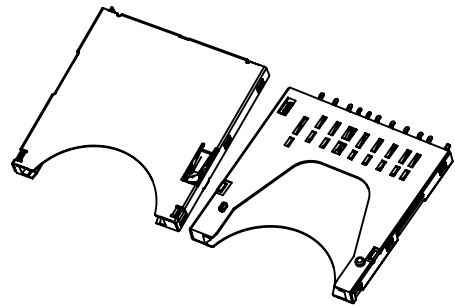


SPECIFICATION

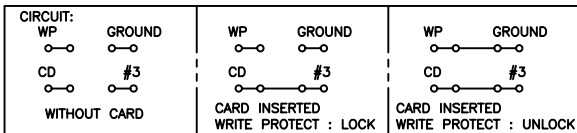
1. Material:
 Insulator: LCP, rated UL94V-0, color: black.
 Contacts: Phosphor Bronze, Tin 160u" at Solder Tail, Selected Gold on Contact Area Plating.
 WP Contact: Phosphor Bronze, Tin 160u" at Solder Tail, Selected Gold on Contact Area Plating.
 Shell: Stainless. Pickling

2. Electrical Characteristics:
 Operating voltage : 100V AC(rms)/DC.
 Current rating : 0.5 A.
 Operating Temperature: -25°C~+90°C.
 Insulation resistance: 1000M ohms min. at 250VDC
 Dielectric withstanding voltage: 500 VAC/1minute.
 Contact resistance: 100m ohms max.
 Mating cycle: 10000 cycles at the speed rate of 400-600 cycles/h; Without distortion of plastic and serious wear and tear in terminal, No signal break.

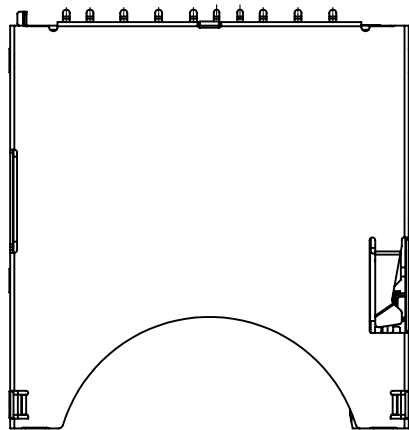
3. Product special future symbol: "※".



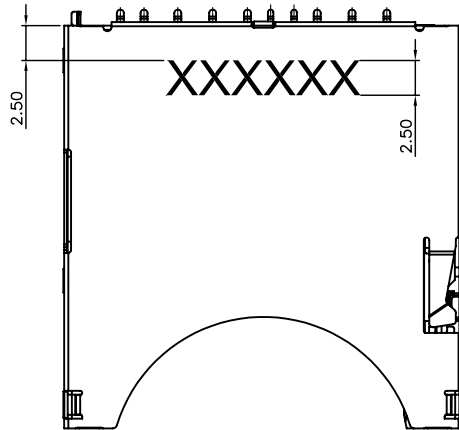
Pin No.	SD	MMC
P1	MMC-DAT3 SD-CD/DAT3	1P 1P
P2	MMC-CMD SD-CMD	2P 2P
P3	MMC-VSS1 SD-VSS1	3P 3P
P4	MMC-VDD SD-VDD	4P 4P
P5	MMC-CLK SD-CLK	5P 5P
P6	MMC-VSS2 SD-VSS2	6P 6P
P7	MMC-DAT0 SD-DAT0	7P 7P
P8	SD-DAT1	8P
P9	SD-DAT2	9P



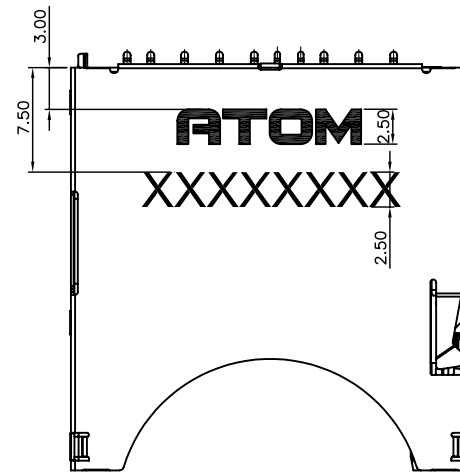
GENERAL TOLERANCE		UNITS	NAME:
SELECT	TOL	mm	SD PUSH PUSH conn.
ON.	1 2 3	MAT'L	PART NO: SD01A-01***
X.XXX	±0.10±0.05±0.15	FINISH	APPD: Jason
X.XX	±0.15±0.13±0.25	Q'TY	CHKD: Vicky
X.X	±0.20±0.25±0.5	DR: Aimee	TITLE: SD PUSH PUSH conn.(post ø1.35)
X.	±0.30±0.35±1.00		DWG NO. ATOM-A01458
ANGLE	±2'		SCALE SHEET REV
			1:1 1/2 E



第一种:外壳无喷码



第二种:外壳有喷码 (年月日)



第三种:外壳有喷码 (ATOM+年月日)

NOTES:1.XXXXXX:Year Month Day, e.g. May 4th, 2010,
jet printing 100504
2.XXXXXXXXX:Year Month Day, e.g. May 4th, 2010,
jet printing 20100504

GENERAL TOLERANCE				UNITS	NAME: SD PUSH PUSH conn.			
SELECT	✓			mm	PART NO: SD01A-01***		TITLE: SD PUSH PUSH conn.(post #1.35)	
ON.	TOL.	1	2	3	APPD: Jason		DWG NO. ATOM-A01458	
X.XXX	±0.10±0.05±0.15				CHKD: Vicky		SCALE SHEET REV	
X.XX	±0.15±0.13±0.25				DR: Aimee		1:1 2/2 E	
X.X	±0.20±0.25±0.5							
X.	±0.30±0.35±1.00							
ANGLE	±2'							