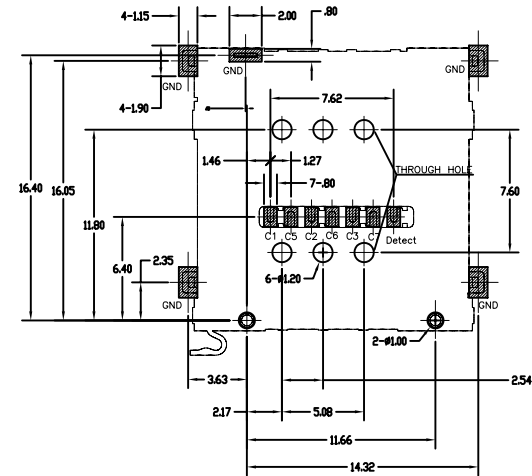
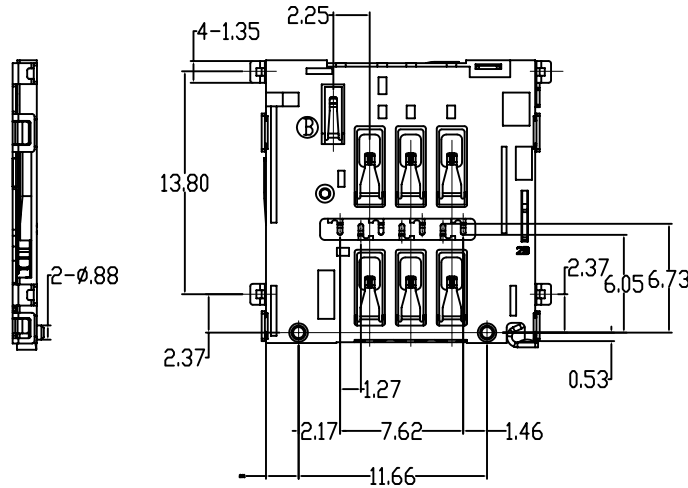
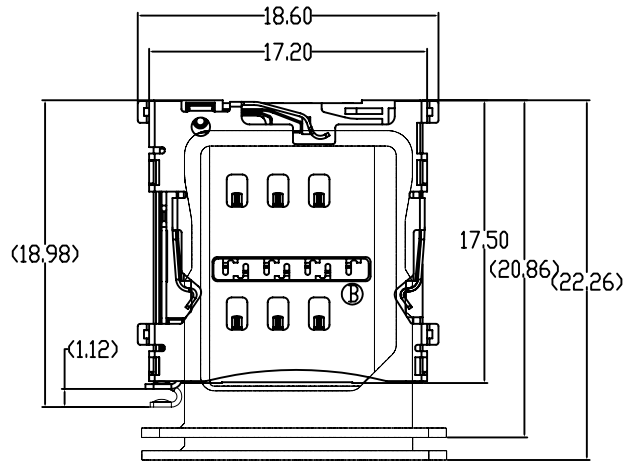
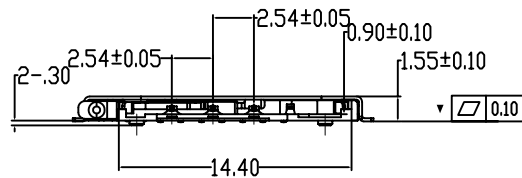


REV.	DATE	ECN NO.	MODIFICATION	APPROVER
A	2016/03/07	/	NEW	Vicky
B	2016/06/23	RD00316062301	结构变更, 详见"B"处	Vicky



Recommended PCB Layout
Tolerance: ±0.05



Characteristic:

- 1.Current Rating :1A max.
- 2.Contact Resistance:50mΩ max
- 3.Insulation Resistance:1000MΩ min./500VDC
- 4.Dielectric Withstanding Voltage:500VAC/1minute
- 5.Mating Force: 8N Max, Withdrawal Force: 1N Min.;
- 6.Durability: 3000 Cycles
- 7.Operating Temperature:-25°C to+85°C

Item	Part Name	Material	Description
6	Shell	Stainless Steel	Nickel Under Plated Overall.
5	Lever	Stainless Steel	
4	Cam	Stainless Steel	
3	Housing	Thermoplastics	Black,UL94V-0
2	Detect	Copper Alloy	Gold Flash on Solder Tails ; Gold Flash on Contact Area;
1	Terminal	Copper Alloy	Nickel Under Plated Overall.

GENERAL TOLERANCE				UNITS	NAME: MICRO SIM				
SELECT	✓			mm					
ON.	TOL.	1	2	3	PART NO: SI44C-08200	TITLE: MICRO SIM CARD 6P SMT H=1.5mm			
X.XXX			±0.05	±0.15		APPD: Vicky	DWG NO. ATOM-A02877		
X.XX	±0.20	±0.13	±0.25		CHKD: Doris			SCALE	SHEET
X.X	±0.30	±0.25	±0.50			DR: CmY		1:1	1/1
X.	±0.50	±0.38	±1.00						
ANGLE	±2'								