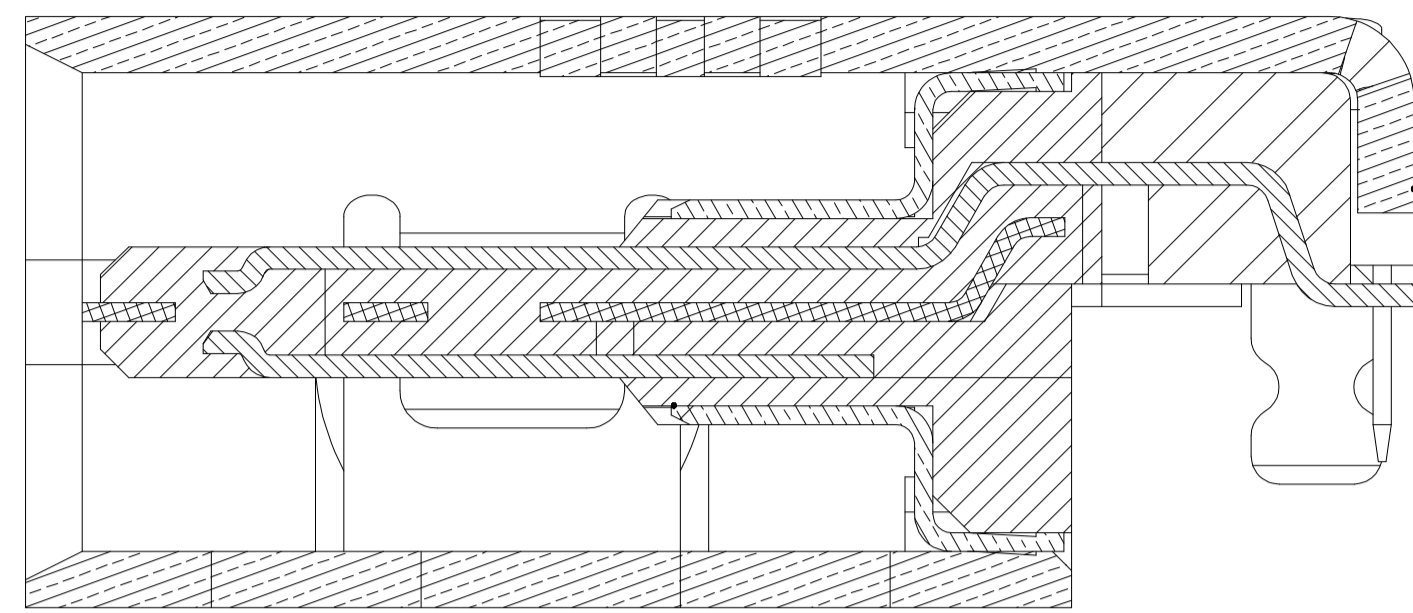
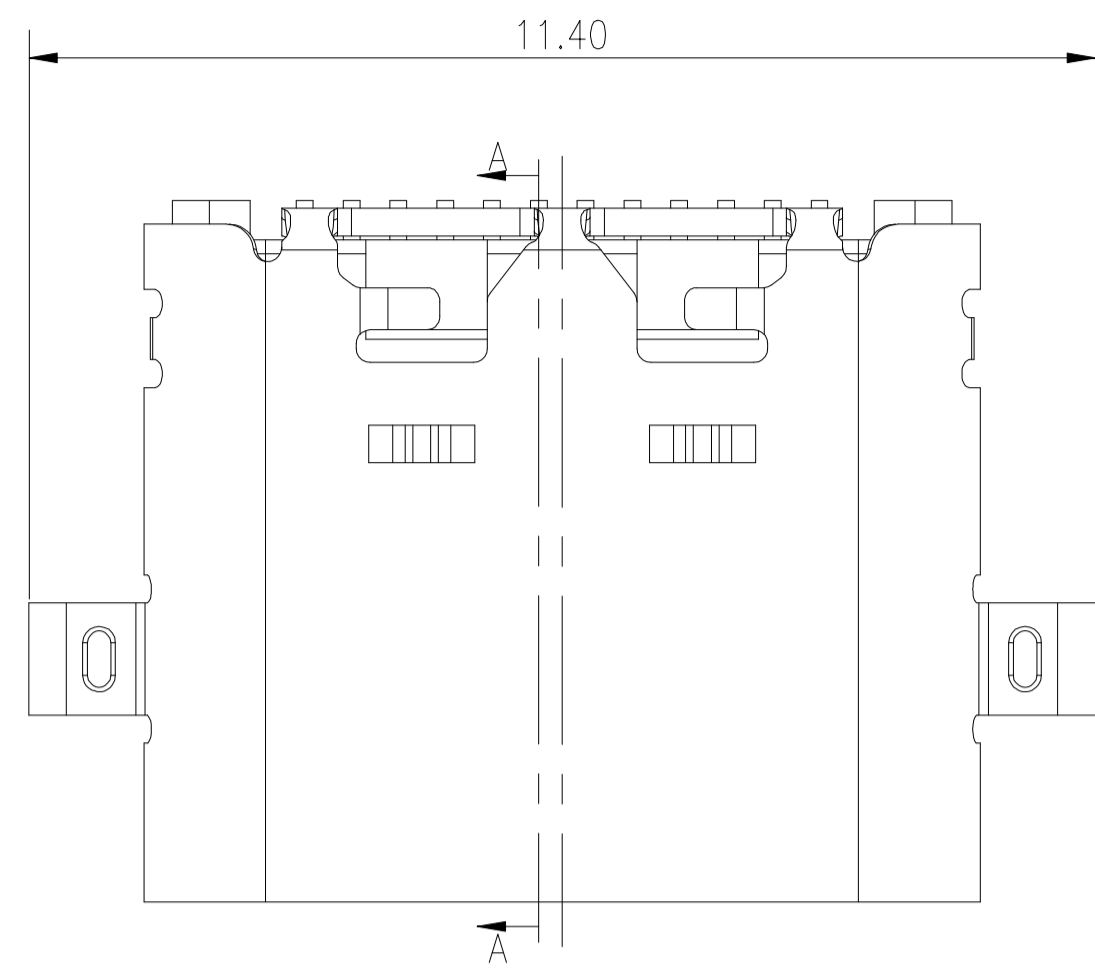
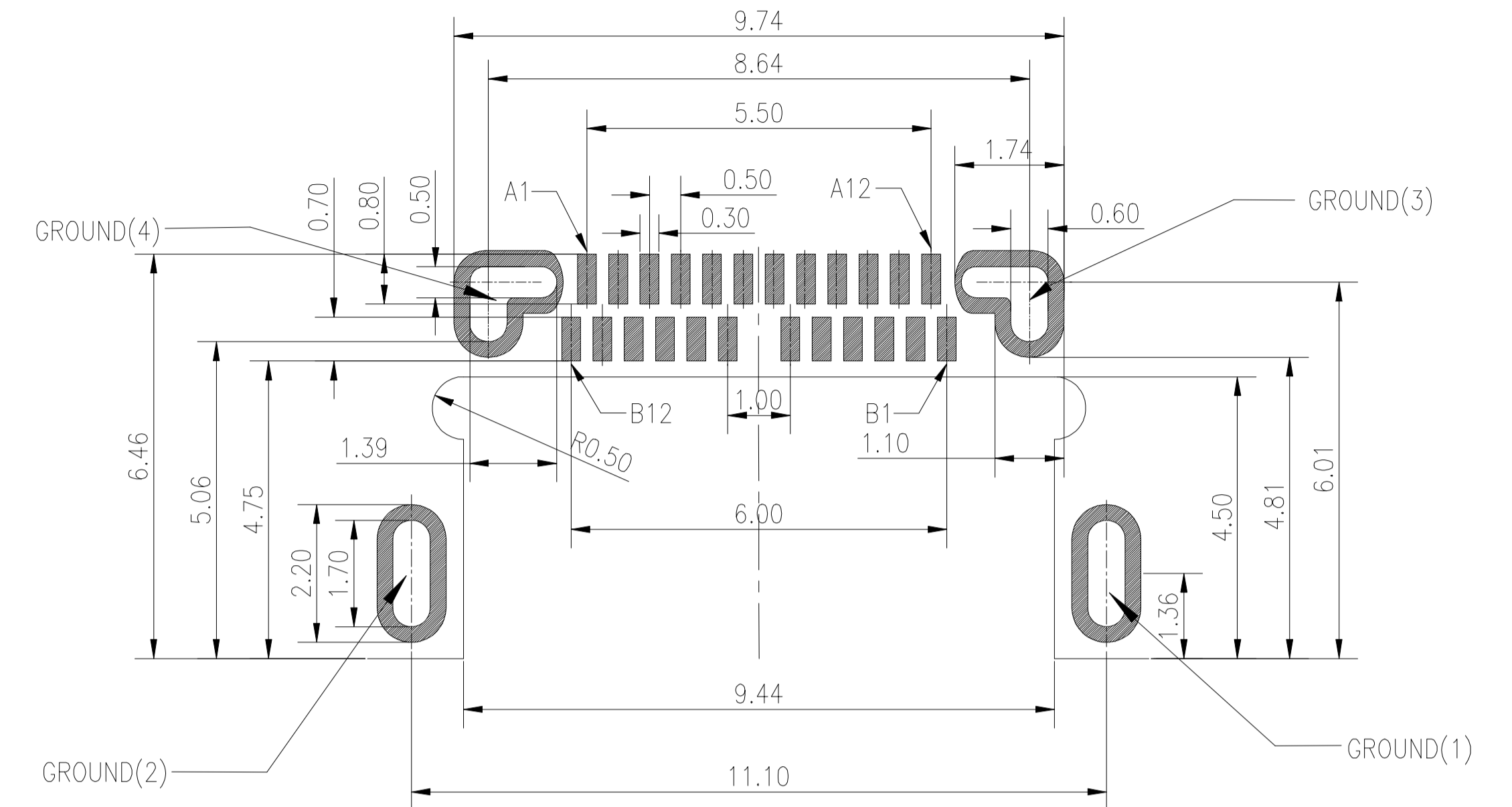


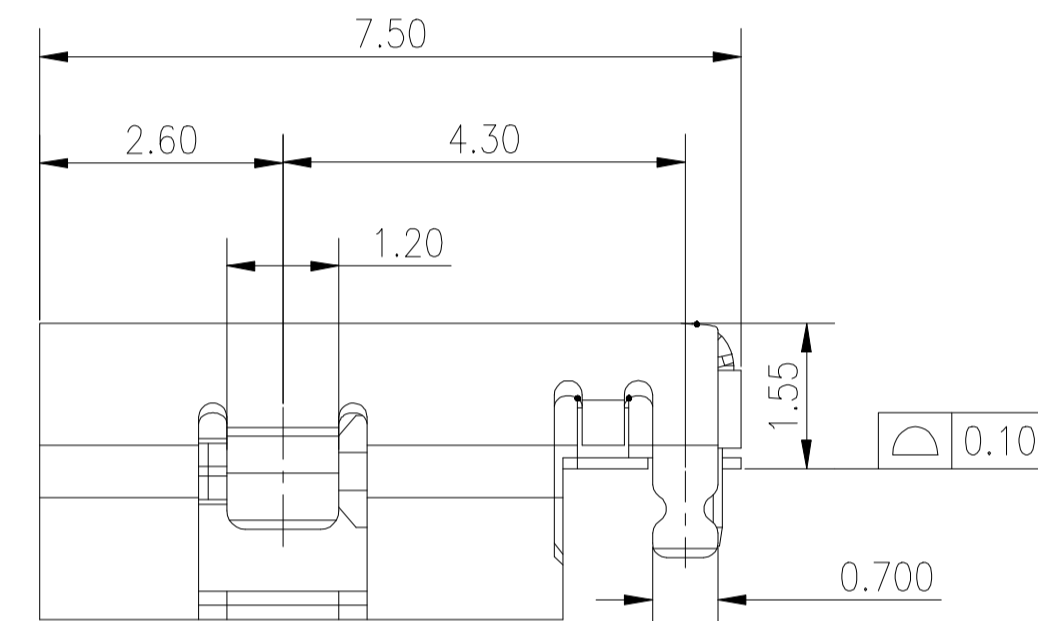
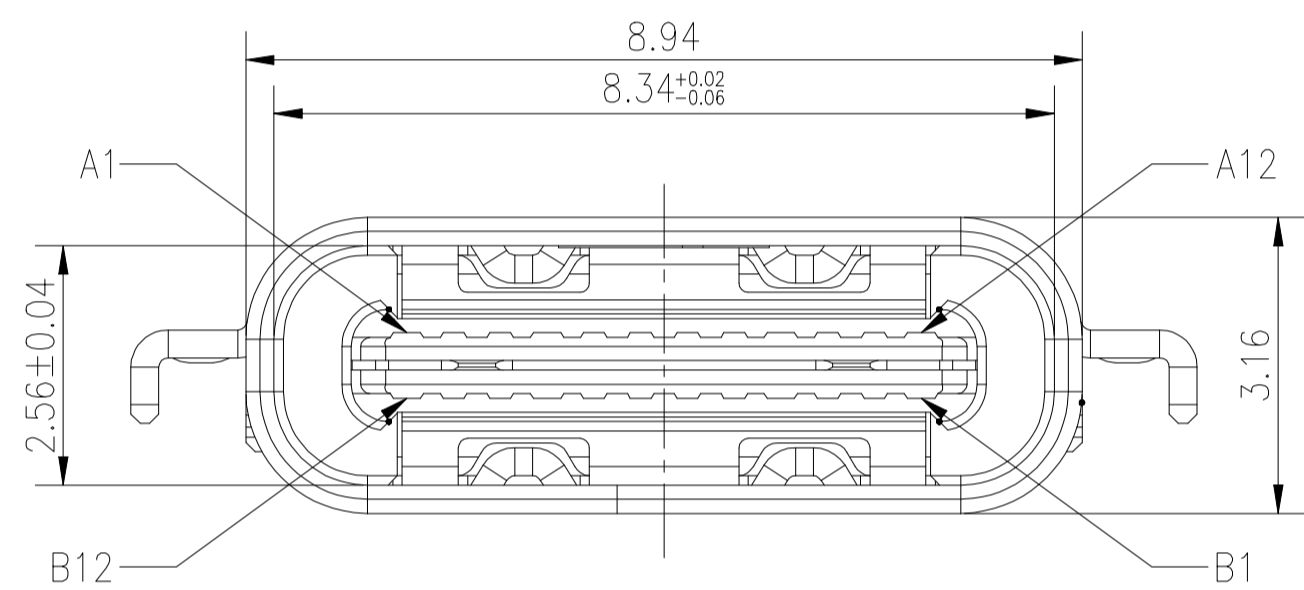
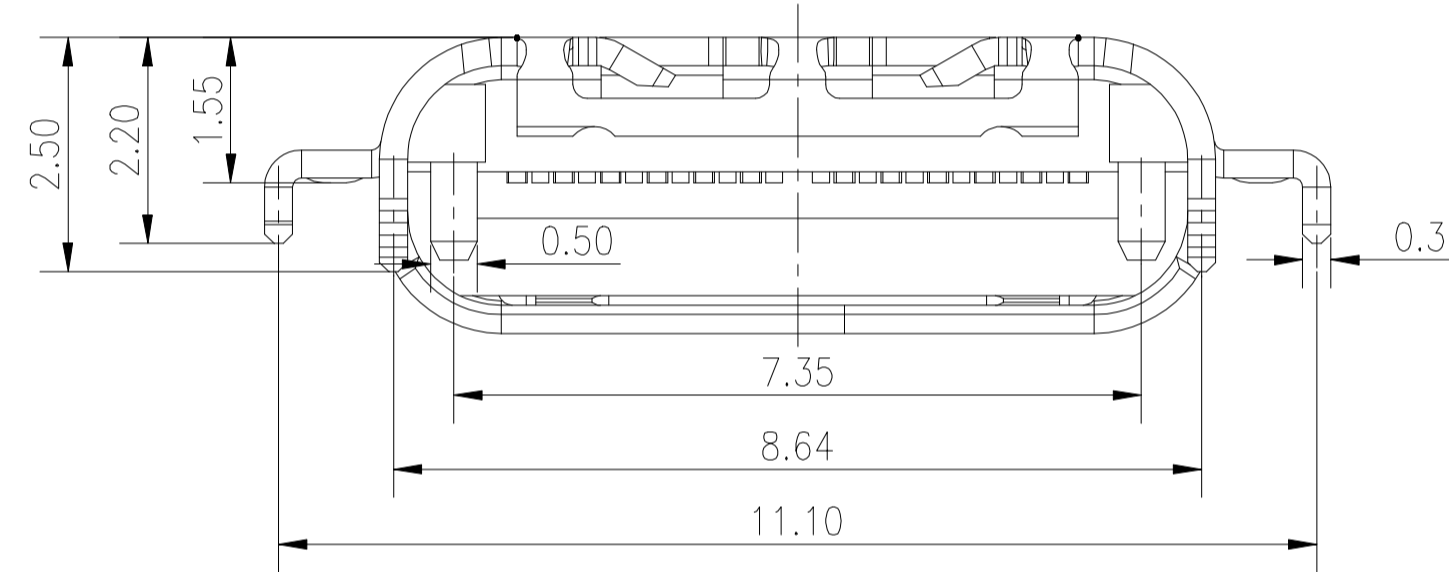
REV.	DATE	ECN NO.	MODIFICATION	APPROVER
A	2016/10/31	/	NEW	Vicky



SECTION A-A



RECOMMENDED PCB LAYOUT(THICKNESS:0.80MM)  
PWB TOLANCE: ±0.05

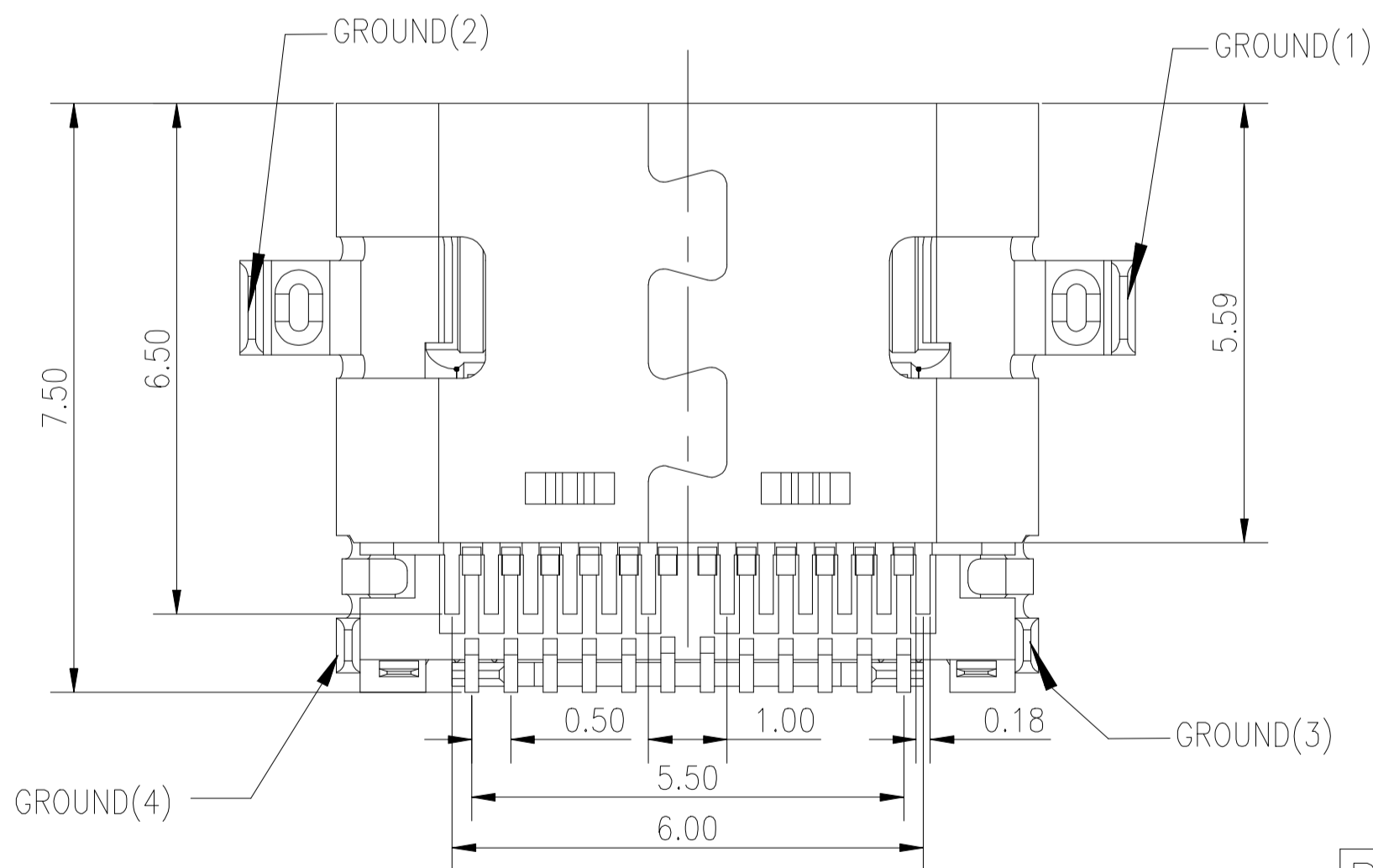


NOTE:

- 1.ELECTRICAL CHARACTERISTICS;
  - 1.1 Current rating:  
5.0A max for(A1,A4,A9,A12,B1,B4,B9,B12);  
0.25A for other pin.
  - 1.2 Contact resistance:40mΩ max.
  - 1.3 Dielectric withstanding voltage:100V AC.
  - 1.4 Insulation resistance: 100MΩ min.
  - 1.5 Operating temperature:-40°C~+85°C.
- 2.MECHANICAL CHARACTERISTICS:
  - 2.1 Insertion force:5~20N.
  - 2.2 Extraction force:8~20N.
  - 2.3 Durability mandatory:10000 cycles.

3.MATERIALS:

- 3.1 Housing:High temperature plastic,UL94V-0,black.
- 3.2 Shell:Stainless steel,Ni all over.
- 3.3 Bottom-Terminal:Copper alloy,Au on contact area.
- 3.4 Top-Terminal:Copper alloy,Au on contact area.
- 3.5 Mid-plate:Stainless steel,Ni all over.
- 3.6 Top-EMC:Stainless steel,Ni all over.
- 3.7 Bottom-EMC:Stainless steel,Ni all over.



USB Type-C Receptacle Pin Assignments

Pin No.	Signal Name	Pin No.	Signal Name
A1,A12	GND	B1,B12	GND
A2	SSTXp1	B2	SSTXp2
A3	SSTXn1	B3	SSTXn2
A4,A9	V <sub>bus</sub>	B4,B9	V <sub>bus</sub>
A5	CC1	B5	CC2
A6	Dp1	B6	Dp2
A7	Dn1	B7	Dn2
A8	SBU1	B8	SBU2
A10	SSRXn2	B10	SSRXn1
A11	SSRXp2	B11	SSRXp1

GENERAL TOLERANCE				UNITS mm	NAME: USB
SELECT	✓				
TOL.	1	2	3	MAT'L	PART NO: USB624FC-C2014206
ON.					
X.XXX	±0.10	±0.05	±0.15	FINISH	TITLE:USB 3.1 24P FEMALE SMT C TYPE 沉板式 外壳四脚插板 短体
X.XX	±0.15	±0.13	±0.25		
X.X	±0.25	±0.25	±0.50	Q'TY	APPD: Jason
X.	±0.40	±0.38	±1.00		CHKD: Vicky
ANGLE	±3°				DWG NO. ATOM-A03440
					DR: Cmy

SCALE			SHEET		REV	
1:1			1/1		A	