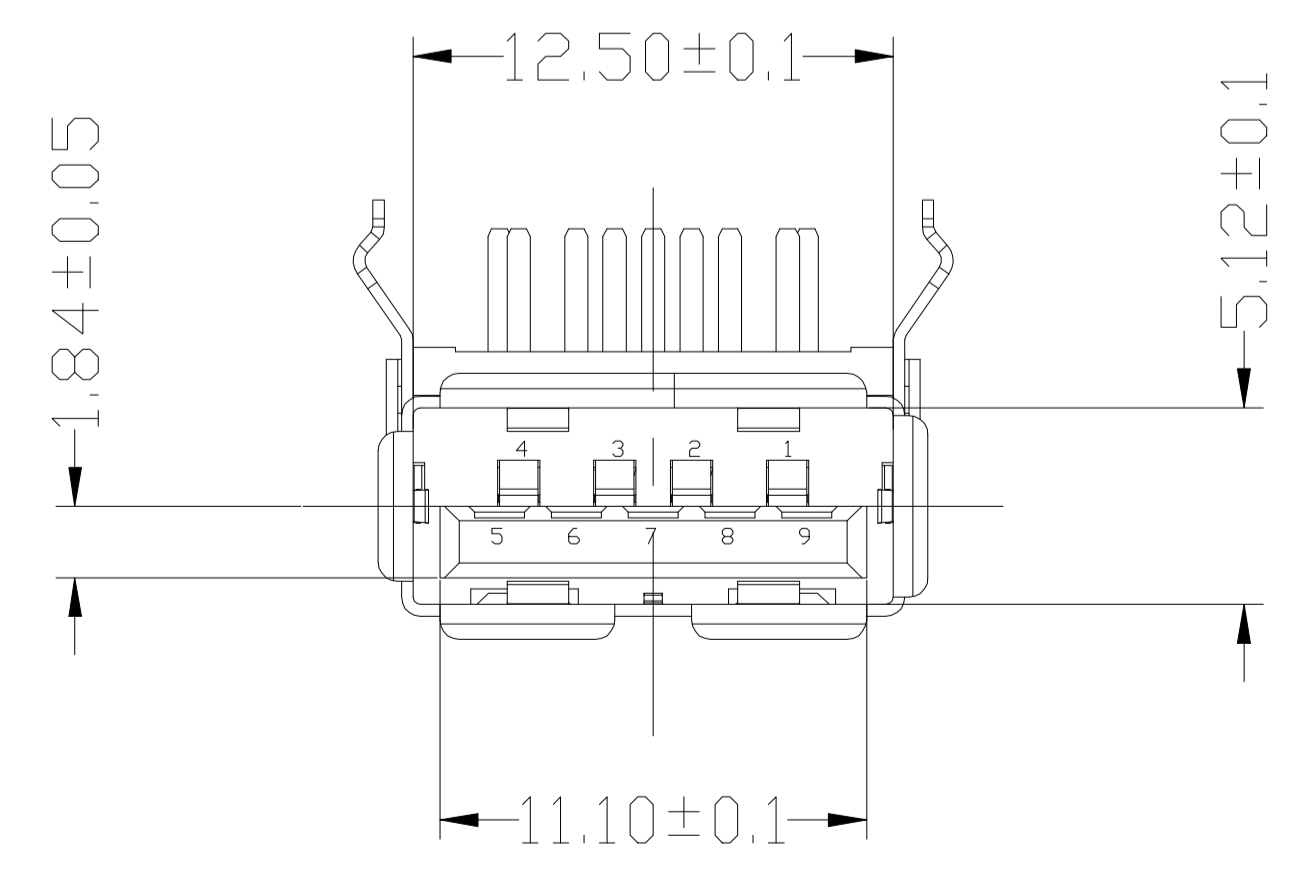
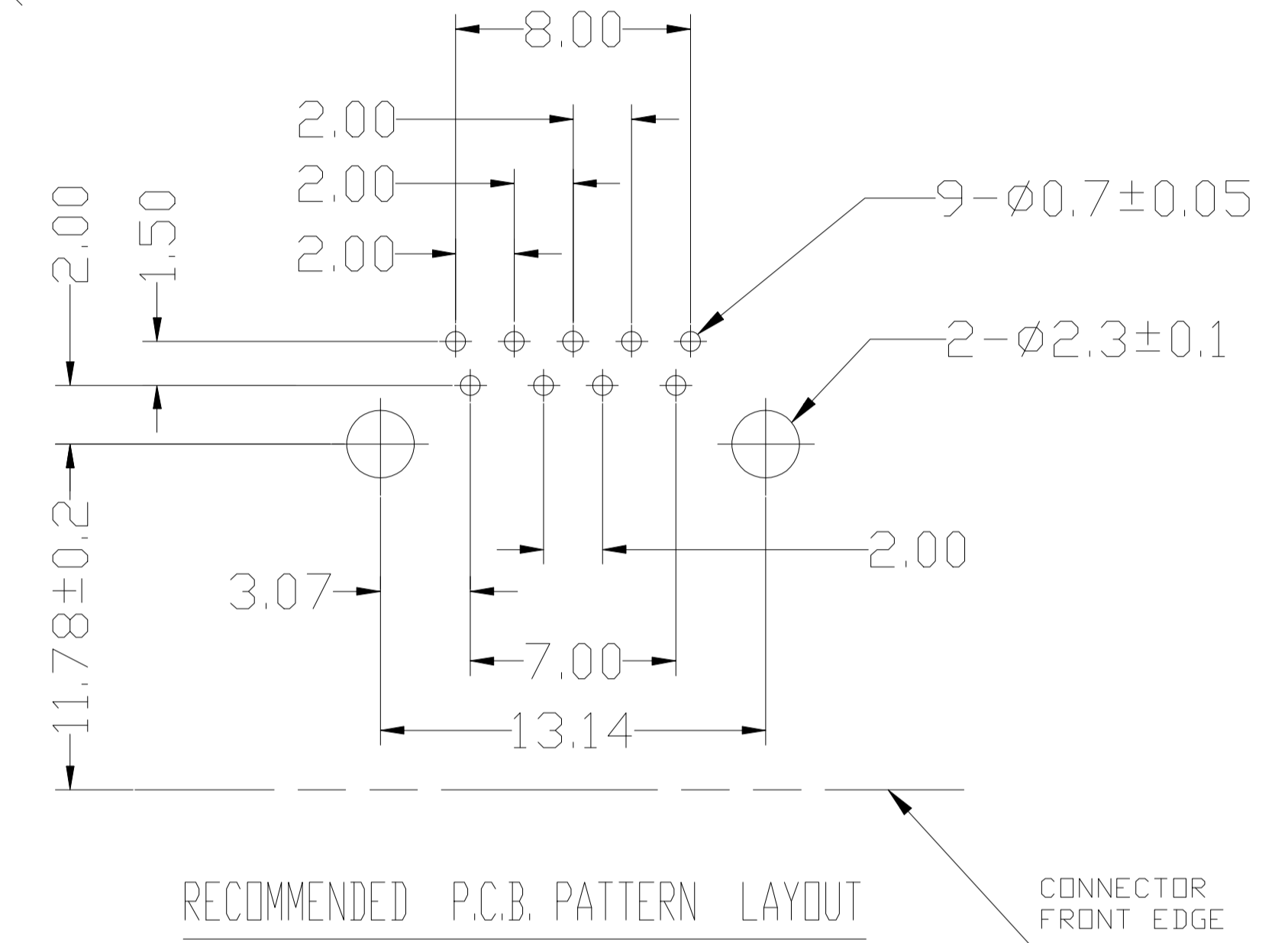
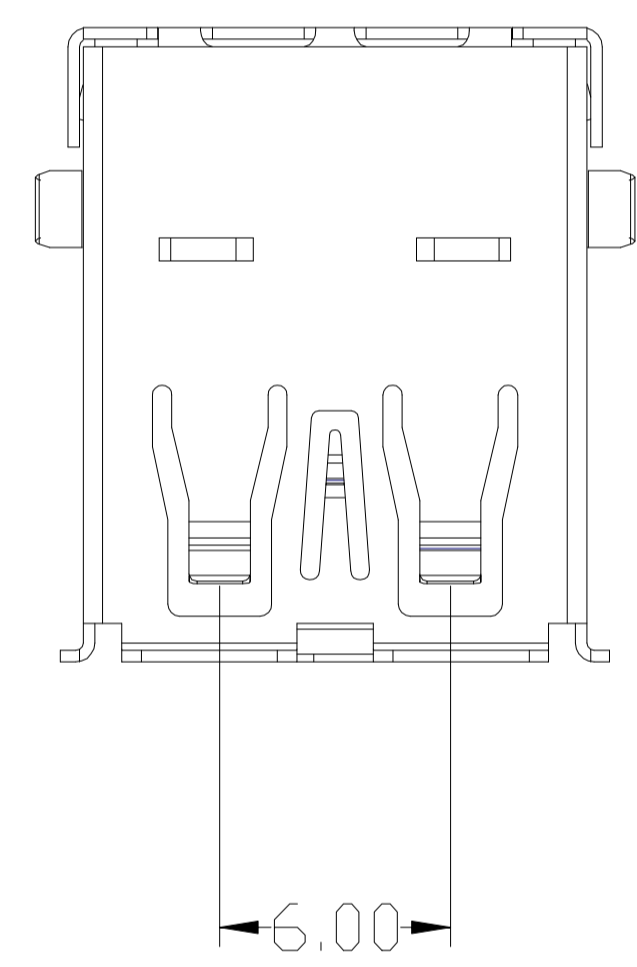
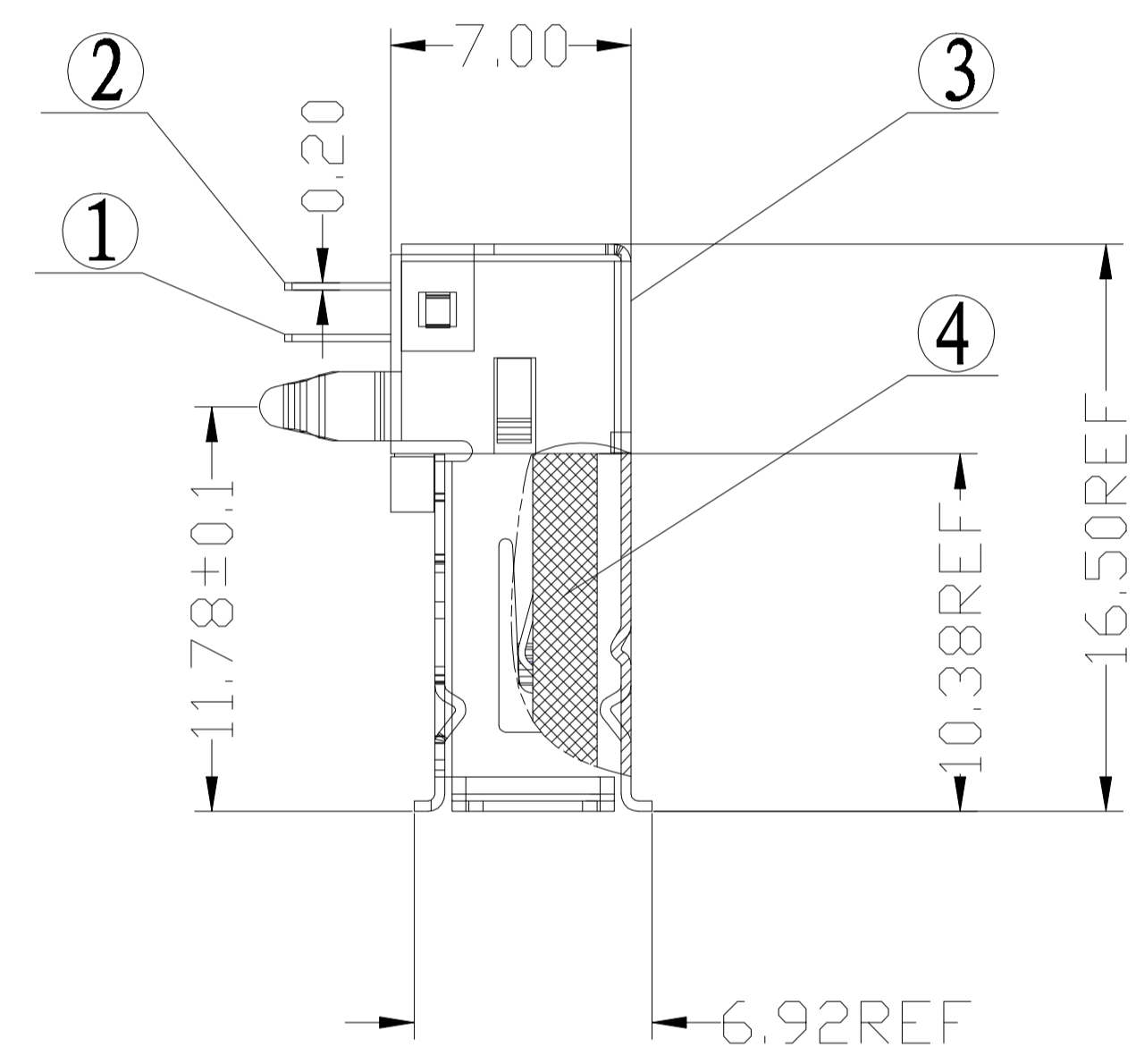
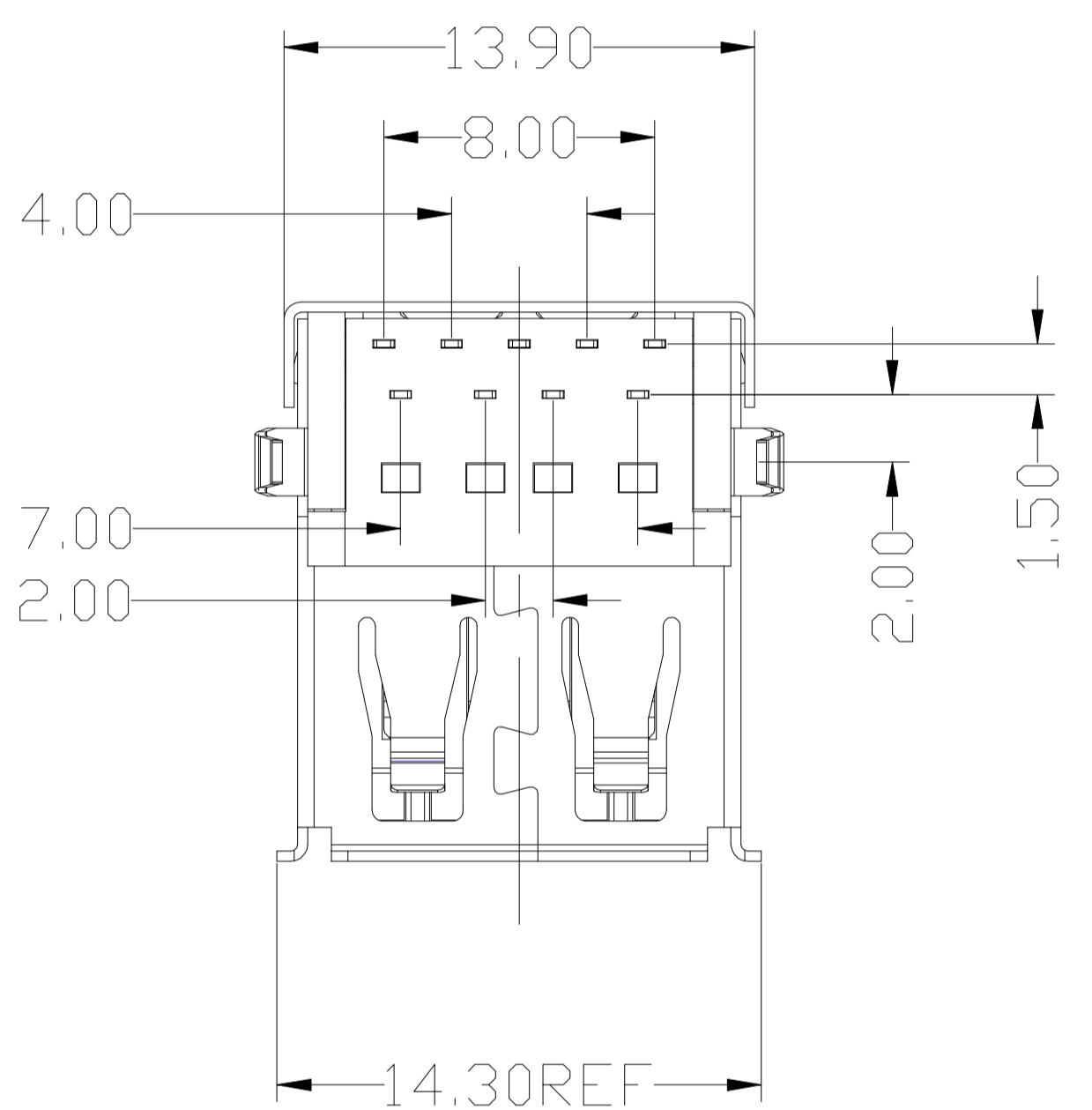
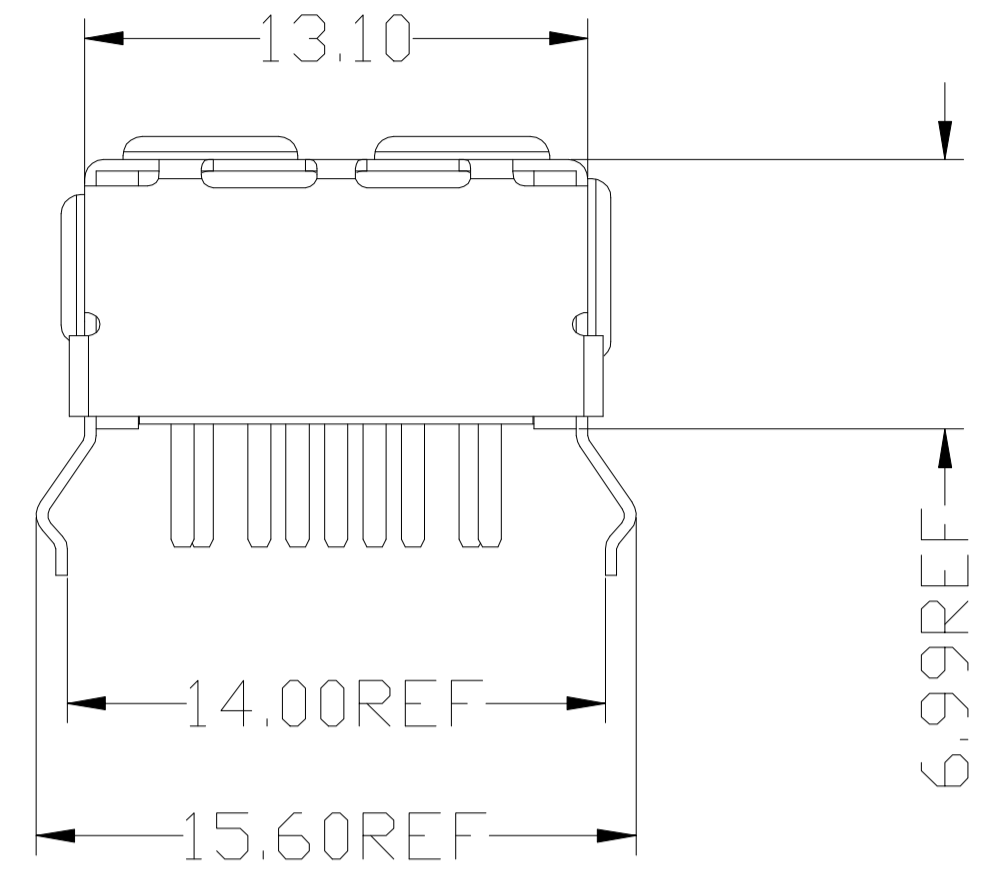


REV.	DATE	ECN NO.	MODIFICATION	APPROVER
A	2010/01/15	/	NEW	Vicky

NOTE:

- 1.ELECTRIC:
 - a.CONTACT RESISTANCE: 30 MILLIOHMS MAX
 - b.INSULATION RESISTANCE: 1000 MEGA OHMS MIN
 - c.DIELECTNIC VOLTAGE: 1.8A AT 250V AC MIN
 - d.OPERATING TEMPERATURE: -55°C- 85°C
- 2.INSERTION FORCE:35N Max
EXTRACTION FORCE:10N MIN INITAL AND 8N MIN AFTER THE SPECIFIED



4	HOUSING	PBT	UL94V-0
3	SHELL	Brass	OVEP-PIATING: Ni Or Au
2	5P TERMINAL	Brass	OVEP-PIATING: Au Ni/Sn
1	4P TERMINAL	Phosphor Bronze	OVEP-PIATING: Au Ni/Sn
ITEM	DESCRIPTION	MATERIAL	REMARKS

GENERAL TOLERANCE			UNITS	NAME: USB		
SELECT	✓		mm	PART NO: USB404FA-A1005303		
TOL. ON.	1	2	MAT'L	TITLE: USB3.0 A/F 90°外壳弯脚 有卷边 PBT蓝胶		
X.XXX		±0.05	FINISH	APPD: Vicky		
X.XX	±0.13	±0.13	Q'TY	CHKD: Doris		
X.X	±0.15	±0.25		DWG NO. ATOM-A03136		
X.	±0.20	±0.38		DR: Cmy		
ANGLE	±2'			SCALE: 1:1		
				SHEET: 1/1		
				REV: A		