

# 0.039" X 0.039"(1.0mm X 1.0 mm) Pin Header - 0.3mm Square Pin

Dual Row 06 to 100 contacts

Thru-Hole Type

## APPLICATION AND FEATURES

Variable pin length.  
Flexible stacking height feature  
Mates with:L220,L221

## SPECIFICATION

Current Rating: 1 Amps  
Insulator Resistance: 1000 Megohms min  
Dielectric Withstanding: AC 500 V  
Operating Temperature: - 40° ~ +105° C  
Contact Material: Copper Alloy  
Insulator Material: Polyester,UL 94V-0  
Finish: Tin,Gold Plated  
Standard: Gold Flash all over

## Ordering Information

L121 : Product Series  
|  
S : Connector Type (Straight Type)  
|  
X X : Number of Contacts  
No. of Contacts = Code  
06 thru 100  
|  
X : Plated Option  
1: Full Tin  
2: Gold Flash  
3: Gold 5u"  
4: Gold 10u"  
5: Gold 15u"  
6: Gold 30u"  
7: Option  
(Standard: 2)

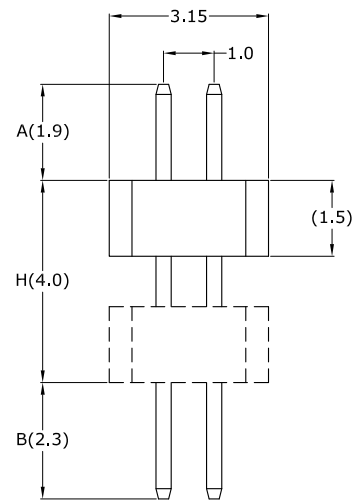
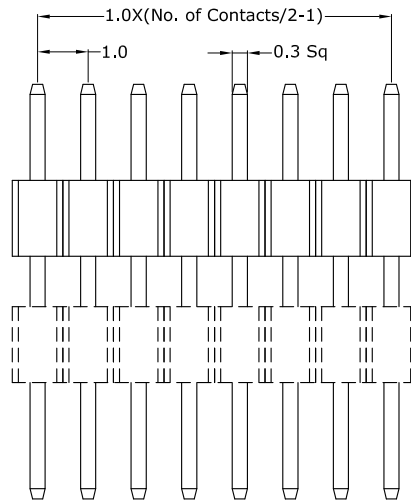
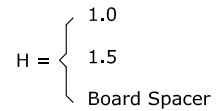
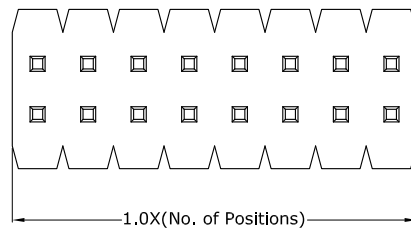
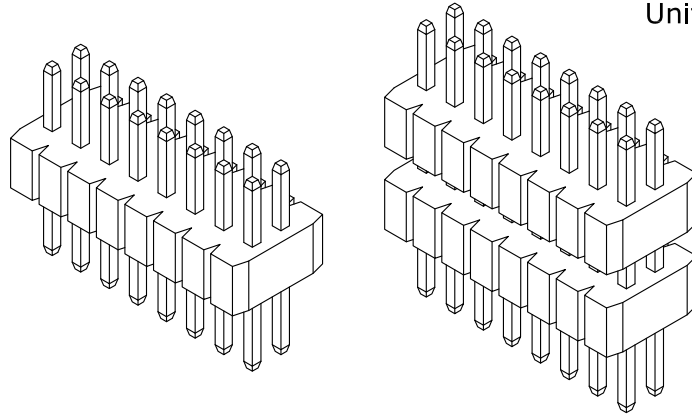
A / H / B : Pin Length  
For example:  
A= 1.9 H= 4.0 B= 2.3  
Please write out the code.

**19 / 40 / 23**

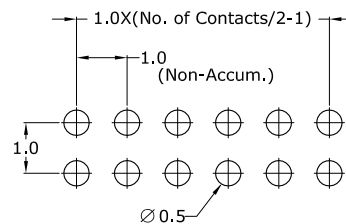
Customers desire the length and put it in the

**A / H / B**

Unit: mm



## Recommended P.C. Board Hole Layout



Products specifications are subject to be changed without notice  
Please contact sales office for further confirmation.