

0.1"(2.54mm) Pin Header

Triple Row 06 to 120 Contacts

Thru-Hole Type Profile: 2.5mm

APPLICATION AND FEATURES

Notches for easy breakable.
Variable pin length.
Mates with:S290

SPECIFICATION

Current Rating: 3 Amps
Insulator Resistance: 5000 Megohms min
Dielectric Withstanding: AC 1000 V
Operating Temperature: - 40° ~ +105° C
Contact Material: Copper Alloy
Insulator Material: Polyester,UL 94V-0
Finish: Tin,Gold Plated
Standard: Gold Flash all over

Ordering Information

S191 : Product Series

R : Connector Type (Right Angle Type)

X X : Number of Contacts
No. of Contacts = Code
06 thru 120

X : Plated Option
1: Full Tin
2: Gold Flash
3: Gold 5u"
4: Gold 10u"
5: Gold 15u"
6: Gold 30u"
7: Option
(Standard: 2)

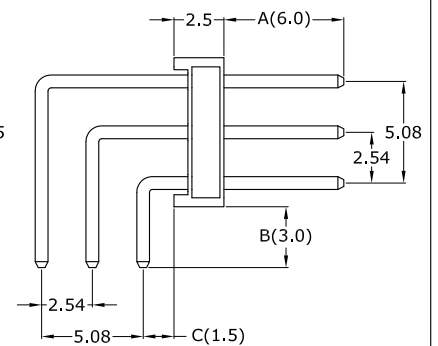
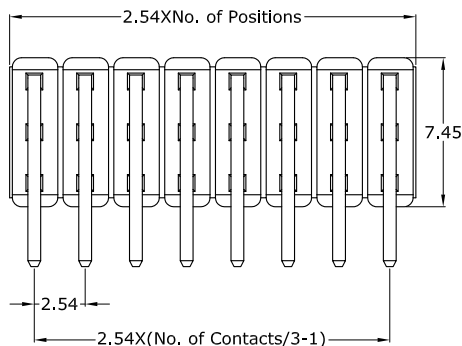
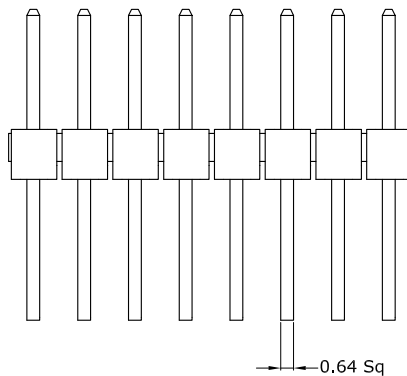
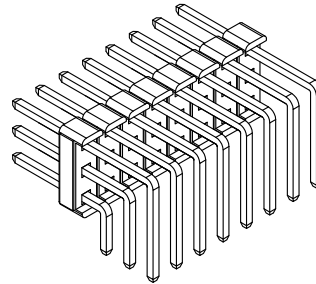
A / C / B : Pin Length
For example:
A= 6.0 C= 1.5 B= 3.0
Please write out the code.

60 / 15 / 30

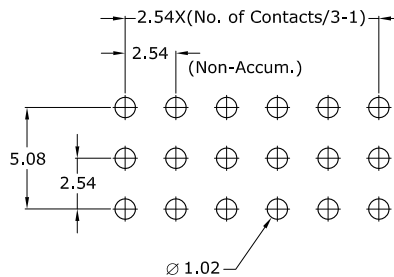
Customers desire the length and put it in the

A / C / B

Unit: mm



Recommended P.C. Board Hole Layout



Products specifications are subject to be changed without notice
Please contact sales office for further confirmation.

2.54mm