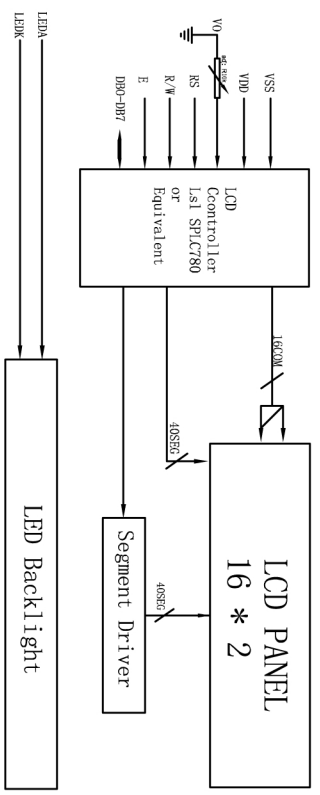
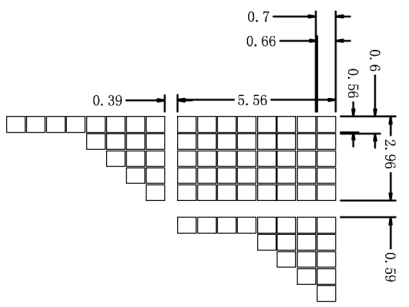
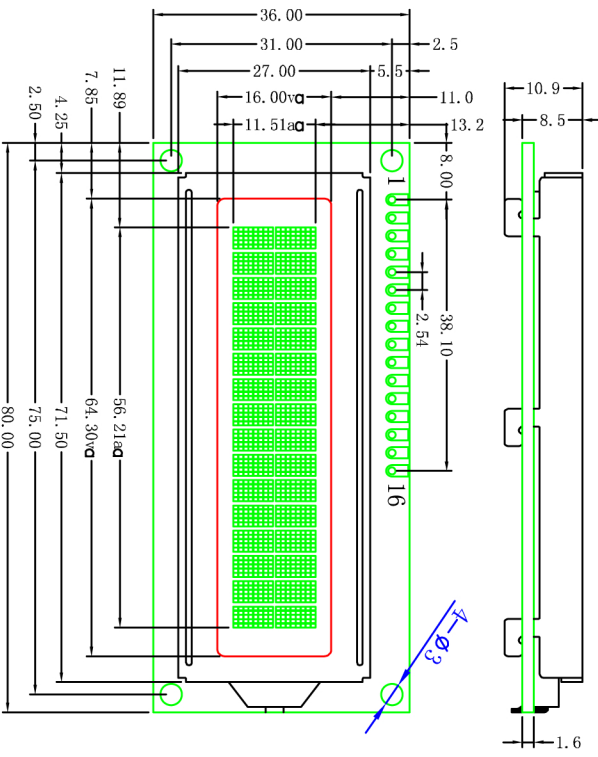


INTERFACE	
1	VSS(0V)
2	VDD(5.0V)
3	V0
4	RS
5	RW
6	E
7	DB0
8	DB1
9	DB2
10	DB3
11	DB4
12	DB5
13	DB6
14	DB7
15	LED-A(5.0)
16	LED-K(0V)



SPECIFICATION:

- 1). STN, BLUE, TRANSMISSIVE/NEGATIVE
- 2). DUTY:1/16. BIAS:1/5. VOP=4.8V
- 3). VIEWING ANGLE: 6 0' CLOCK
- 4). OPERATING TEMPERATURE: -20~70°C
STORAGE TEMPERATURE: -30~80°C
- 5). BACKLIGHT: WHITE VF=5.0V IF=15MA
- 6). DRIVE IC: SPIC780D-001A OR EQV
- 7). DRIVE POWER: VDD=5.0V

VER	DETAIL DESCRIPTION	DATE
00	FIRST ISSUE	2016-10-10

GENERAL TOTAL DIMS	DATE	MODEL NUMBER :	PROJECTION	SHEET: 1 OF 1
0.20 mm	2016/10/10	C1802A-V1.2		DATE: 2016/10/10
DWNI: PENG	2016/10/10	DO NOT SCALE THIS DRAWING.		
CHK: TAN	2016/10/10			
APP: SUN	2016/10/10			