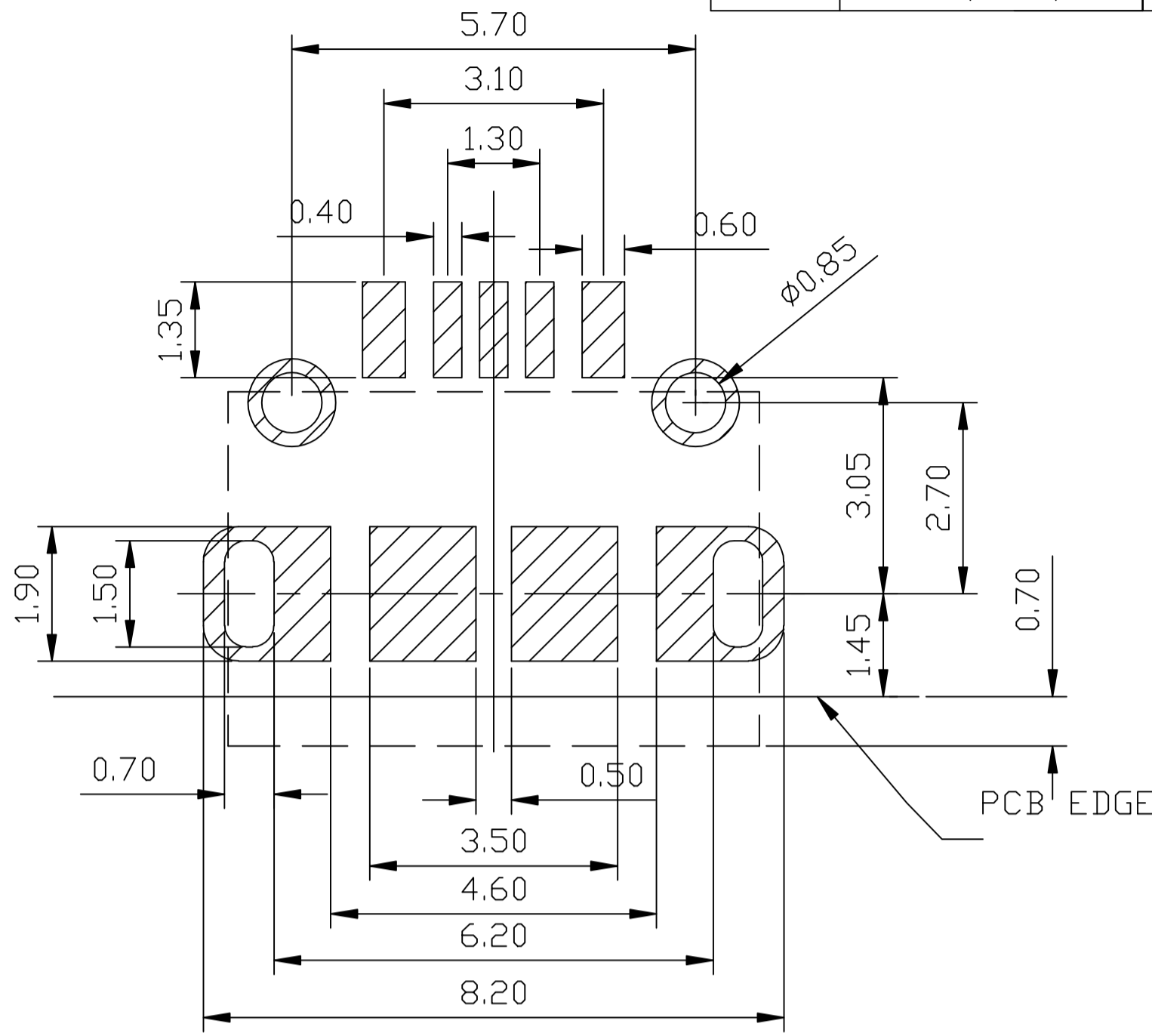
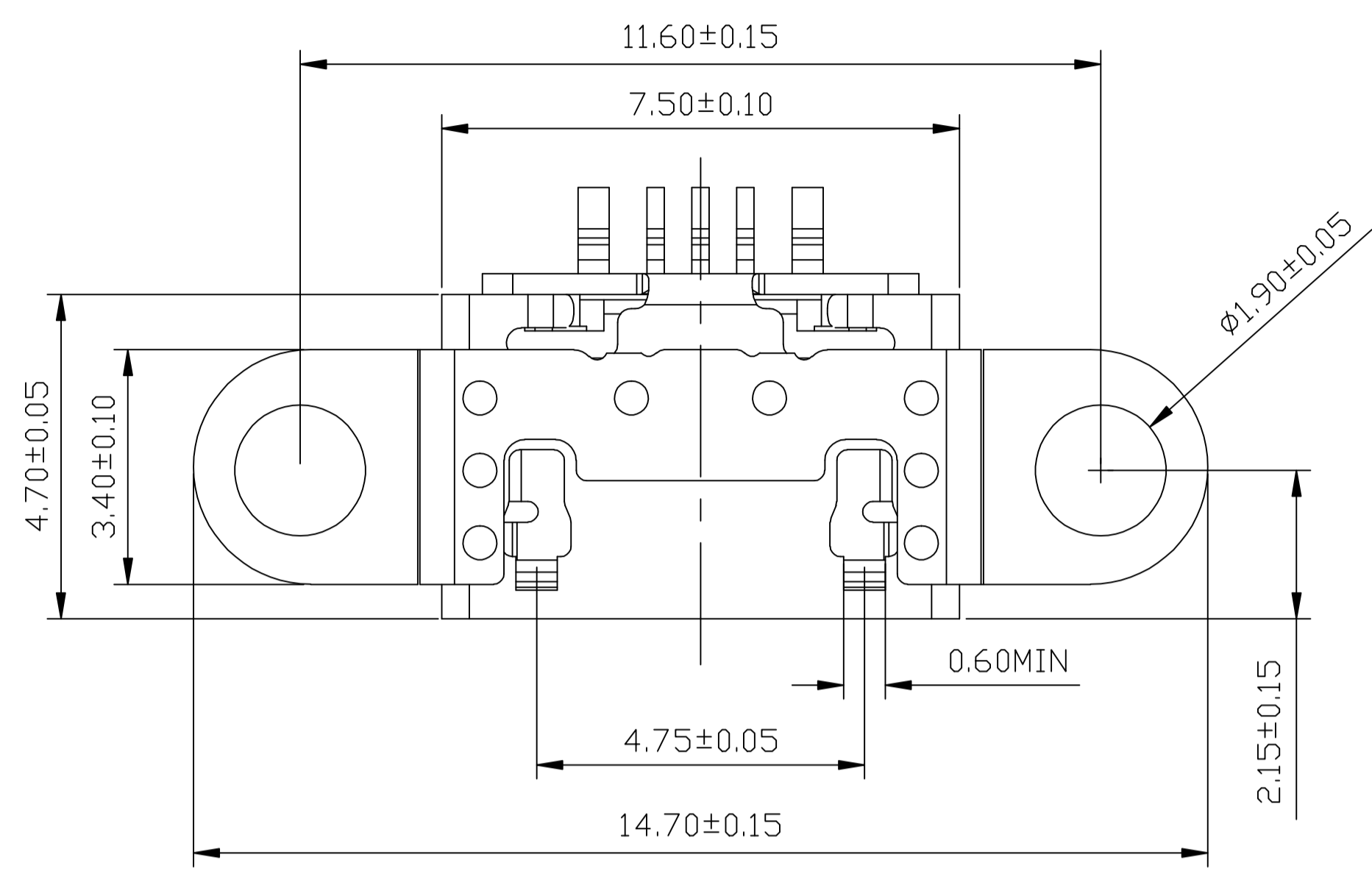
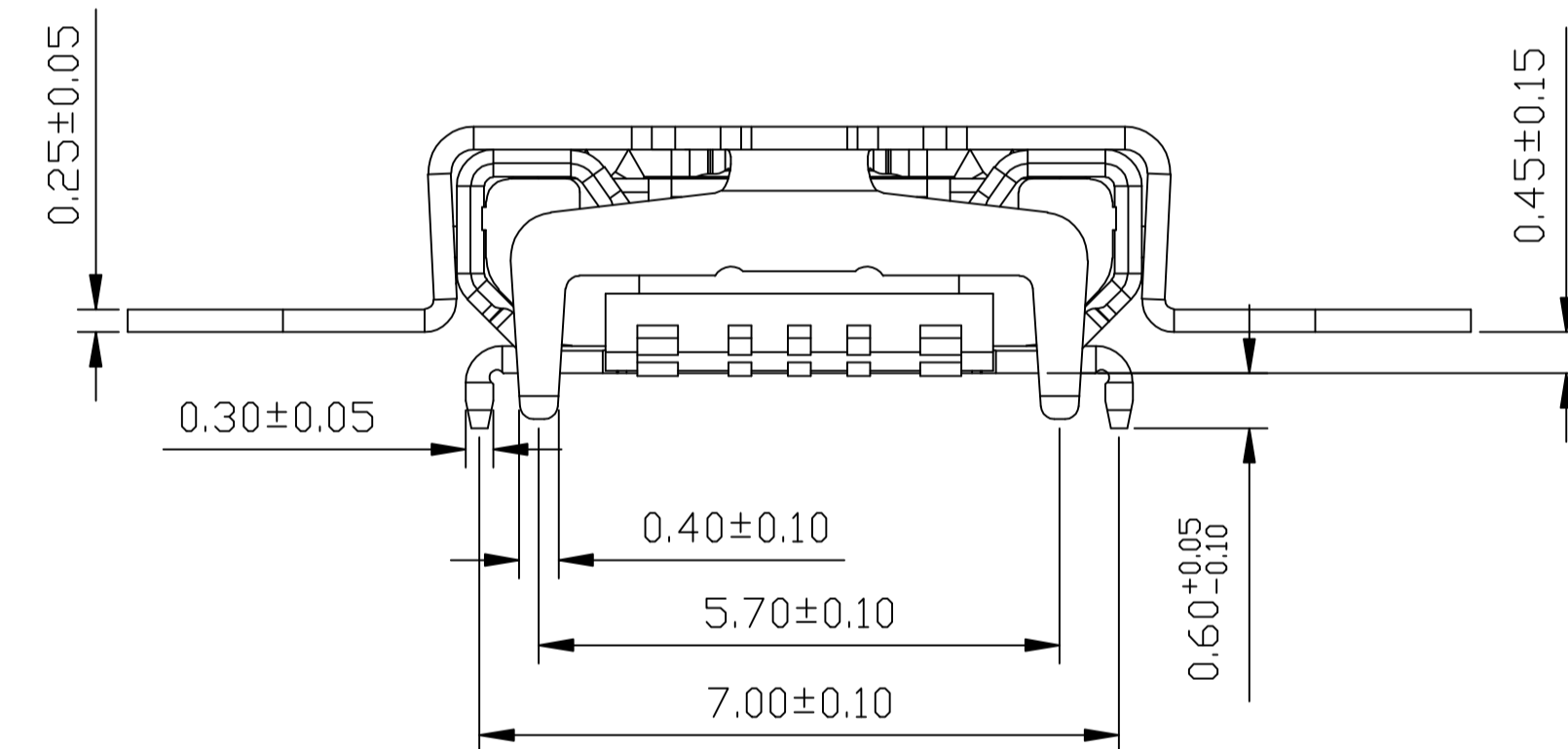
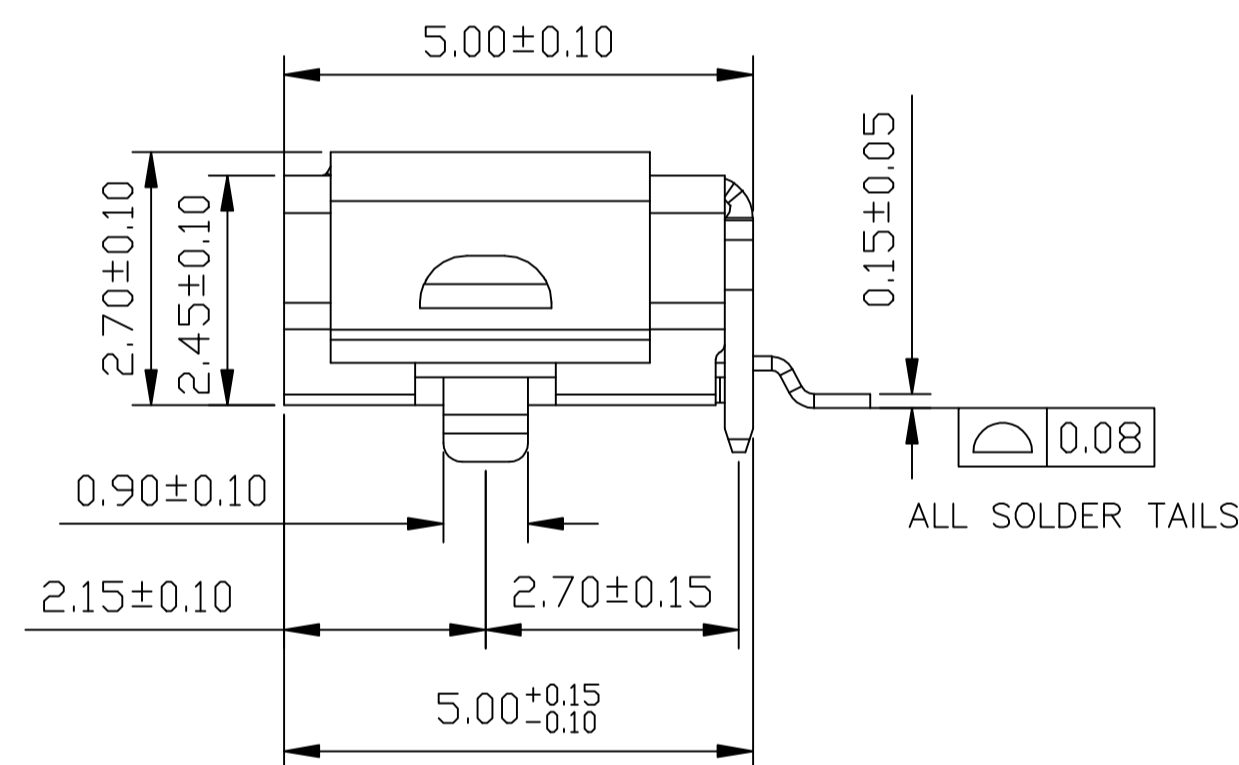
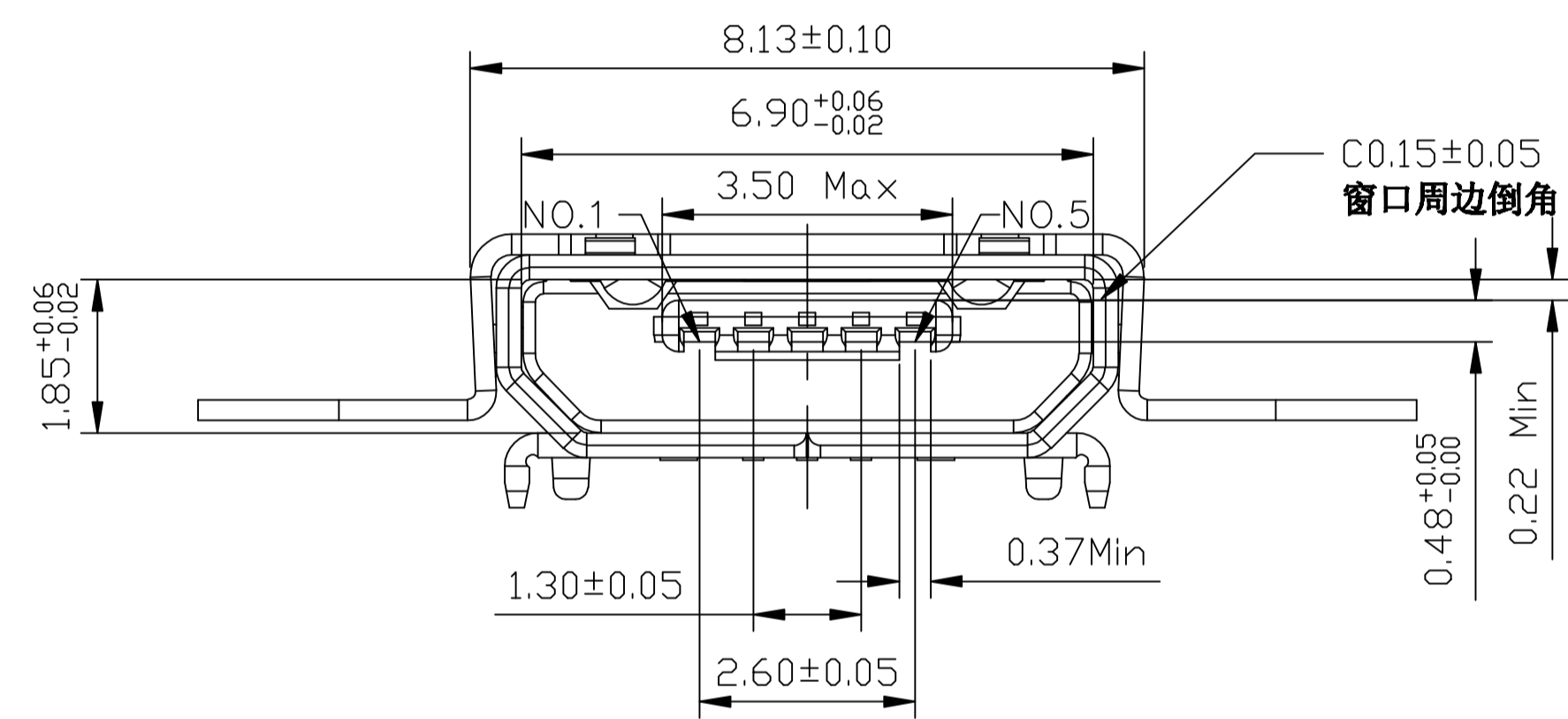


REV.	DATE	ECN NO.	MODIFICATION	APPROVER
A	2016/12/23	/	NEW	Vicky



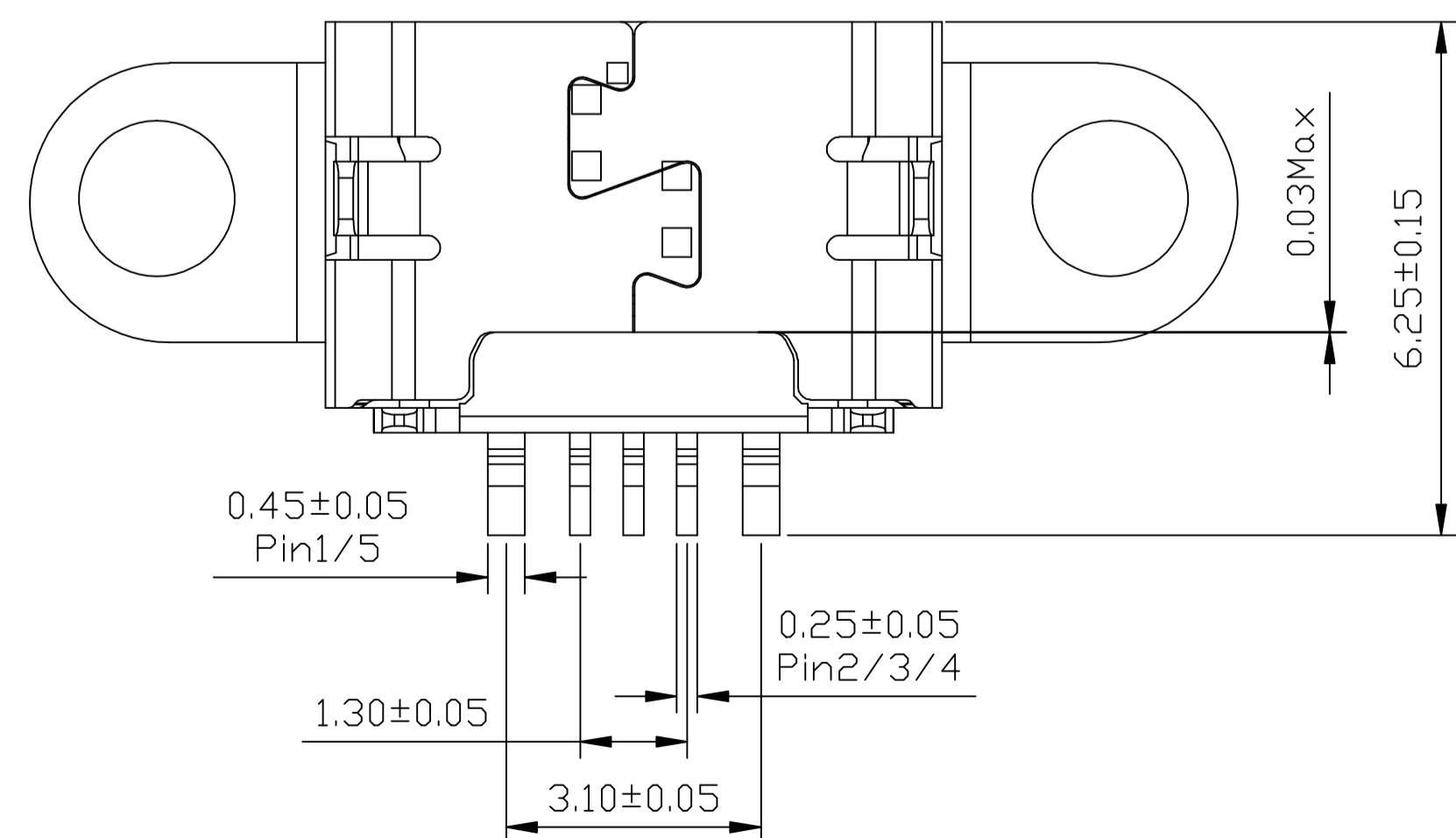
- NOTES:
- CONTACT CURRENT RATING: 1.0A(SIGNAL PIN2,3,4); 2.0A(POWER PIN1,5)
  - CONTACT RESISTANCE: 30mΩ MAX;
  - INSULATION RESISTANCE: 1000MΩ MIN;
  - DIELECTRIC WITHSTANDING: 500V AC MIN;
  - DURABILITY: 10,000 CYCLES MIN;
  - CONNECTOR MATING FORCES: 25N(2.55kgf)MAX;
  - CONNECTOR UNMATING FORCES: 8~25N(0.80~2.55kgf);

RECOMMENDED PCB LAYOUT  
TOP VIEW (TOL: ±0.05)



Pin Number	Signal Name
1	VBUS
2	D-
3	D+
4	ID
5	GND

ITEM	PART NAME	Q'TY	MATERIAL	
01	HOUSING	1 PCS	THERMOPLATIC	BLACK COLOR,UL94V-0
02	CONTAT A	1 PCS	COPPER ALLOY	GOLD PLATED OVER NICKEL PLATED
03	SHELL	1 PCS	SUS	Ni/MATTER TIN
04	BRACKET	1 PCS	SUS	NO PLATING



GENERAL TOLERANCE				UNITS	NAME: USB			
SELECT	✓			mm	PART NO: USB205FB-C1014215			
TOL. ON.	1	2	3	MAT'L	TITLE: MICRO USB 5P FEMALE SMT B TYPE 无定位柱 四脚全插 无卷边 带耳			
X.XXX	±0.10	±0.05	±0.15	FINISH	APPD: Vicky			
X.XX	±0.15	±0.13	±0.25	Q'TY	CHKD: Doris			
X.X	±0.20	±0.25	±0.50		DR: Cmy			
X.		±0.38	±1.00		DWG NO. ATOM-A03292			
ANGLE	±2'				SCALE SHEET REV			
					1:1 1/1 A			