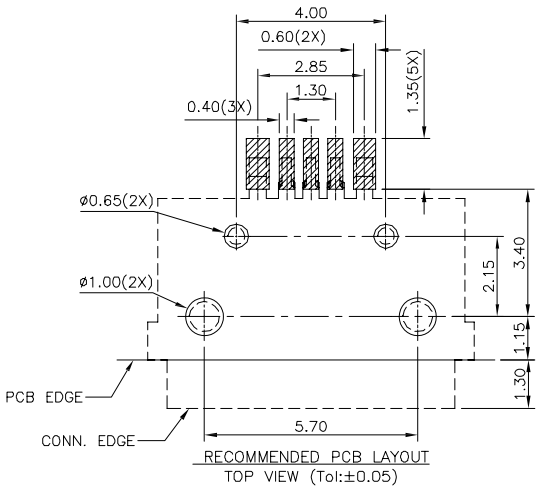
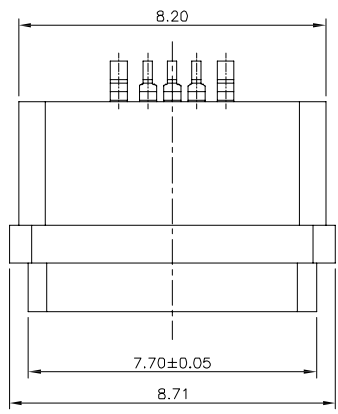
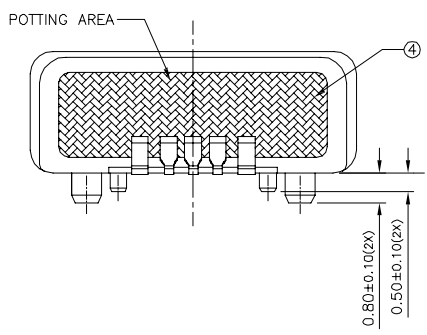
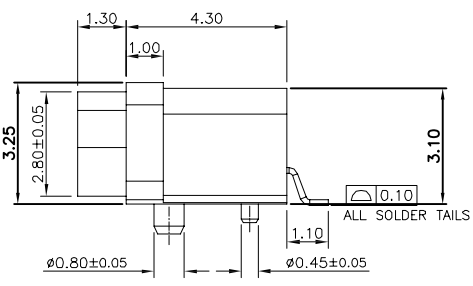
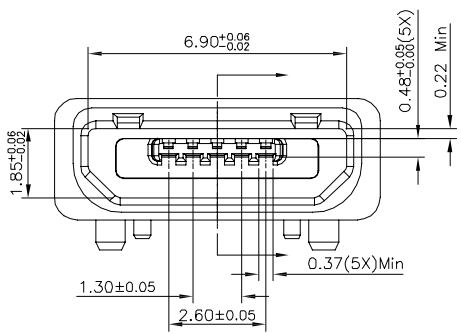


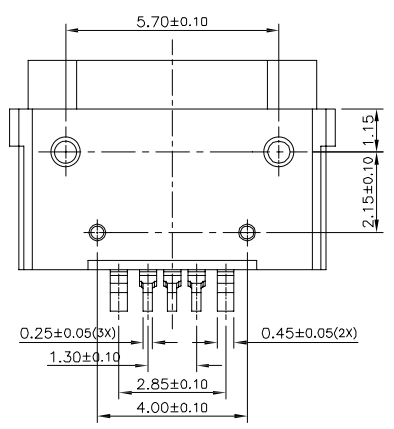
REV.	DATE	ECN NO.	MODIFICATION	APPROVER
A	2016/03/21	/	NEW	Vicky



- NOTES:
- CONTACT CURRENT RATING: 1.0A(SIGNAL PIN2,3,4);2.0A(POWER PIN1,5).
 - CONTACT RESISTANCE: 30mΩ MAX.;
 - INSULATION RESISTANCE: 1000MΩ MIN.;
 - DIELECTRIC WITHSTANDING: 100V AC MIN.;
 - DURABILITY: 5,000 CYCLES MIN.;
 - CONNECTOR MATING FORCES: 25N (2.55Kgf)MAX.;
 - CONNECTOR UNMATING FORCES: 2~25N (0.20~2.55Kgf);

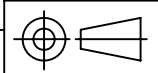


PIN NO.	Signal name
1	VBUS
2	D-
3	D+
4	ID
5	GND



ITEM	PART NAME	Q'TY	MATERIAL	DESCRIPTION
01	HOUSING	1 PCS	HIGH TEMPERATURE PLASTIC	BLACK COLOR, UL94V-0;
02	CONTACT A	1 PCS	COPPY ALLOY	Ni:40~160u";Au:CONTACT AREA:3u",SOLDER:1u",OTHER AREA:G/F
03	PLASTIC SHELL	1 PCS	HIGH TEMPERATURE PLASTIC	BLACK COLOR, UL94V-0;
04	GLUE	1 PCS	EPOXY RESIN	BLACK COLOR,

GENERAL TOLERANCE		UNITS	NAME: MICRO USB	
SELECT	✓	mm	PART NO: USB205FB-C1005206	
TOL.	1 2 3	MAT'L	TITLE: MICRO USB 5P FEMALE SMT B TYPE 帶定位柱 防水型	
ON.	X.XXX ±0.10 ±0.05 ±0.15	FINISH	APPD: Vicky	DWG NO. ATOM-A02999
	X.XX ±0.15 ±0.13 ±0.25	Q'TY	CHKD: Doris	
	X.X ±0.20 ±0.25 ±0.50		DR: Jillian	
	X. ±0.30 ±0.38 ±1.00			
ANGLE	±2'			



SCALE	SHEET	REV
1:1	1/1	A