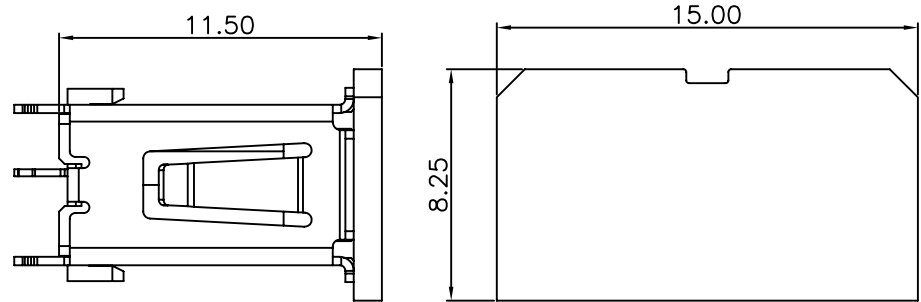
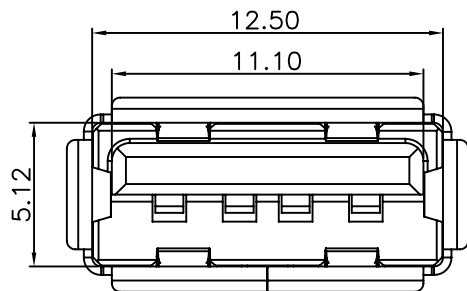
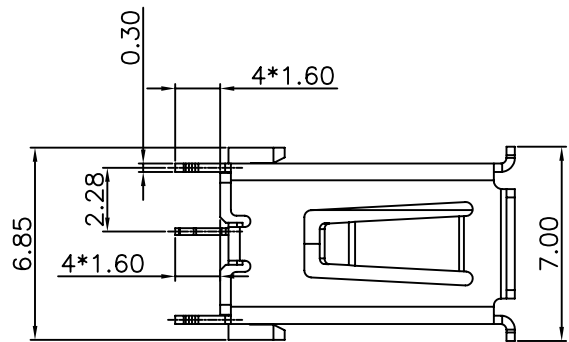
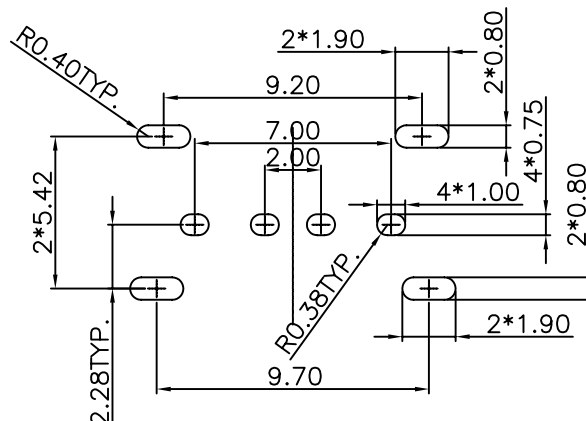
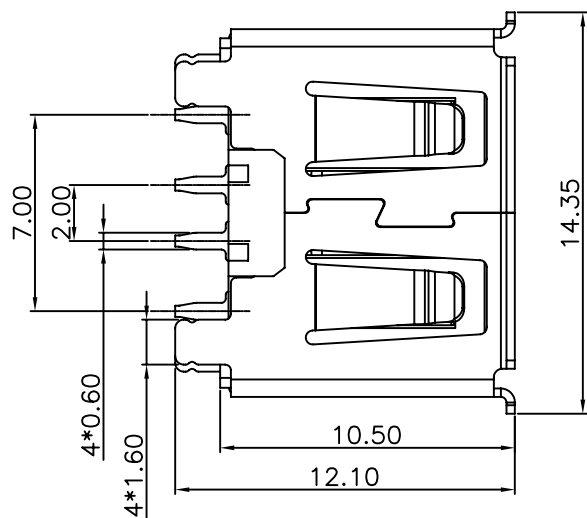


REV.	DATE	ECN NO.	MODIFICATION	APPROVER
A	2016/10/25		NEW	Jason



成品加后塞示意图



PCB LAYOUT

Specifications:

Electrical:

- 1.Current Rating:2.1A/contact terminal
- 2.Voltage Rating:30V DC
- 3.Contact Resistance:30 milliohms Max
- 4.Dielectric Withstanding Voltage:
500V AC AT Sea Level
- 5.Insulation Resistance:1000MEGA ohms MIN

Material:

1.Housing:LCP UL94V-0

Color:Black

Contact:Copper Alloy

Shell:SUS304

Finish:

Contact:Plated Gold in Mating Area;

Tin on Solder Tails

Shell:Nickel plating

GENERAL TOLERANCE				UNITS	NAME:		
SELECT	✓			mm	USB A/F 4P DIP		
ON.	1	2	3	MAT'L	PART NO:	TITLE: USB A/F 4P DIP 180° 短体直脚	
X.XXX	±0.15	±0.05	±0.15	FINISH	APPD:	Jason	DWG NO.
X.XX	±0.25	±0.13	±0.25		CHKD:	Vicky	ATOM-A03211
X.X	±0.30	±0.25	±0.50	Q'TY	DR:	JACK	SCALE
X.	±0.38	±0.38	±1.00		DR:	JACK	1:1
ANGLE	±5°						REV
							A

