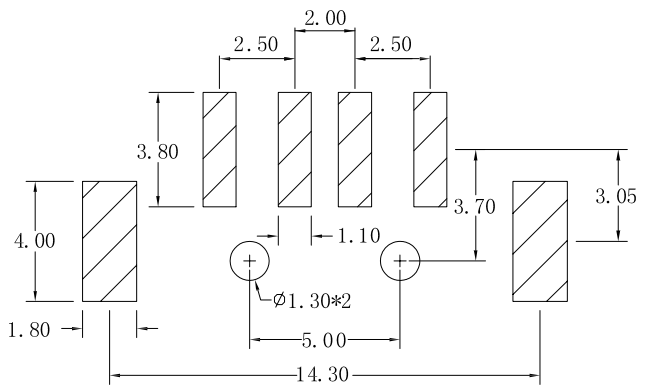
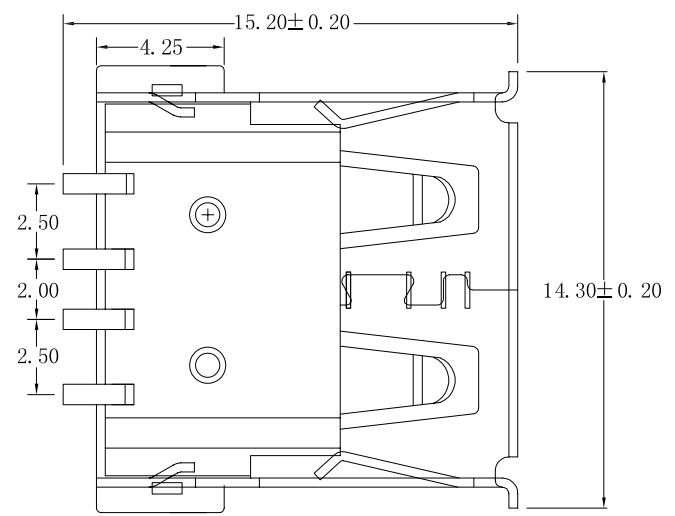
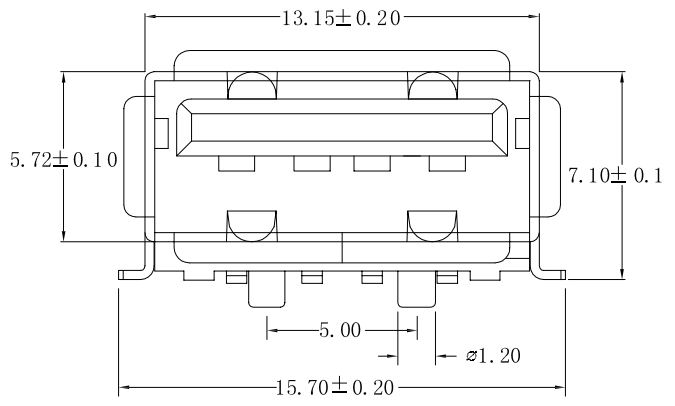
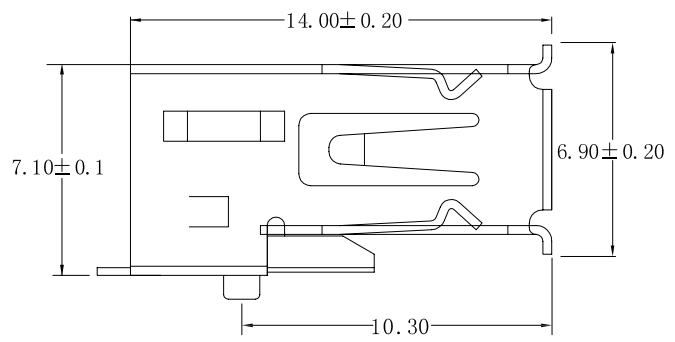


REV.	DATE	ECN NO.	MODIFICATION	APPROVER
A	2011/05/15	/	NEW	Vicky



PCB LAYOUT

SPECIFICATIONS
ELECTRICAL:
 1. Contact Resistance: 30mΩ MAX
 2. Dielectric Withstanding Voltage: 500V AC AT Sea Level
 3. Insulation Resistance: 1000MΩ MIN
MECHANICAL:
 1. Mate Force: 3.57kgf (MAX)
 2. Un-mate Force: 1.02kgf (MIN)
MATERIAL:
 1. Housing: High Temperature Thermoplastics, UL94V-0
 2. Contact: Copper Alloy C2680
 3. Shell: Copper Alloy C2680/SPCC
FINISH:
 1. Contact: Plated Gold in Mating Area; Tin on Solder Tails
 2. Shell: Nickel plating

GENERAL TOLERANCE				UNITS mm	NAME: USB					
SELECT	✓				MAT'L	PART NO: USB304FA-C1005***		TITLE: USB A/F 4P SMT 有卷边 带定位柱 φ1.2 贴脚宽 L=15.2		
ON.	TOL.	1	2	3		FINISH	APPD: Vicky		DWG NO. ATOM-A03119	
X.XXX	±0.10	±0.05	±0.15		Q'TY		CHKD: Doris		SCALE	SHEET
X.XX	±0.20	±0.13	±0.25			DR: Cmy		1:1		
X.X	±0.30	±0.25	±0.50							
X.		±0.38	±1.00							
ANGLE	±5°									