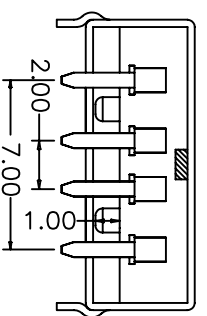
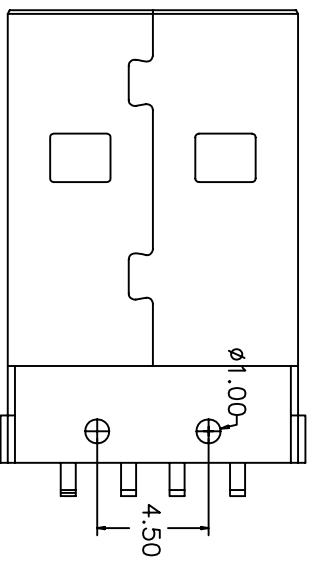
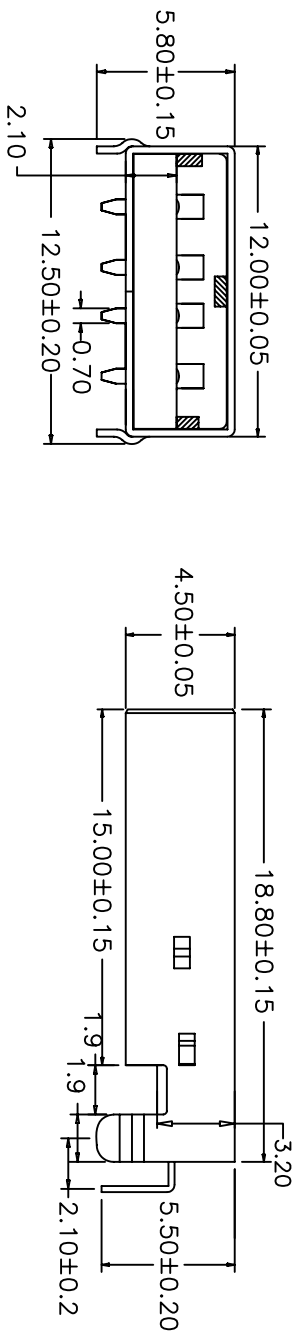
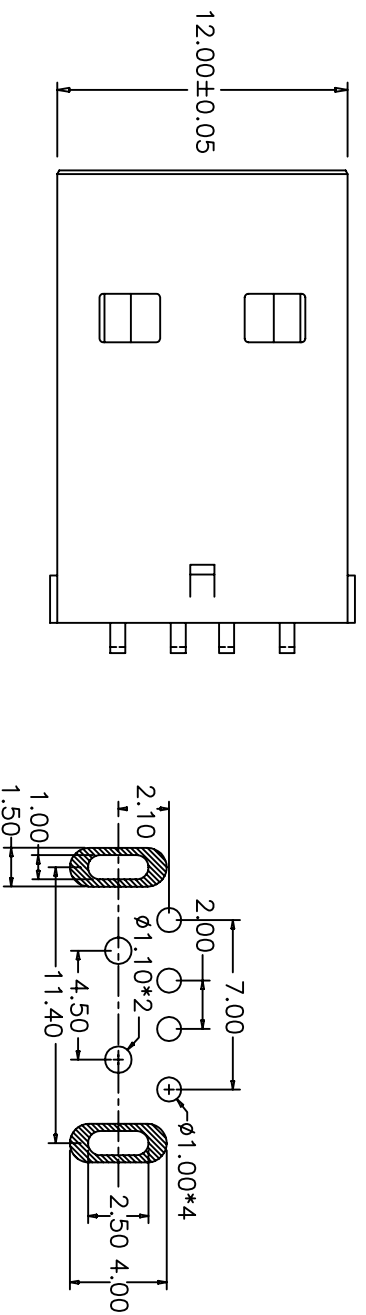


5	6	7	8
REV. A	DATE 2011/11/28	ECN NO. /	MODIFICATION NEW
			APPROVER Vicky



Specifications:

- Electrical:
- 1.Current Rating: 1.5A/contact terminal
 - 2.Voltage Rating: 30V DC
 - 3.Contact Resistance: 30 milliohms MAX
 - 4.Dielectric Withstanding Voltage: 500V AC AT Sea Level
 - 5.Insulation Resistance:1000MEGA ohms MIN
- Mechanical:
- 1.Mate Force: 3.75kgf(MAX)
 - 2.Ummate Force: 1.02kgf(MIN)
 - 3.Terminal Retention: 1.2kgf(MIN)

Material:
 1.Housing: HIGH TEMP. PLASTIC,
 UL94V-0 PBT/LCP, White/Black

- 2.Contact: Copper Alloy C2680
 - 3.Shell:Copper/Spcc
- Finish:
 1.Contact: Plated Gold in Mating Area;Tin on Solder Tails
 2.Shell: Nickel Plating

GENERAL TOLERANCE		UNITS		NAME:	
SELECT	✓	mm	USB		
TOL	1 2 3	MAT'L		TITLE: USB A/M 4P DIP 90°	
ON	1 2 3	FINISH		PART NO: USB304MA-A1005***	
X.XXX	±0.10 ±0.08 ±0.15	APPD:	Vicky	DWG NO. ATOM-A00908	
X.XX	±0.20 ±0.13 ±0.25	CHKD:	Ivy	SCALE	
X.X	±0.30 ±0.25 ±0.50	DR:	Anna	SHEET	
X.	±0.38 ±1.00	ANGLE	±5°	1/1	
			Q'TY	REV	
				A	