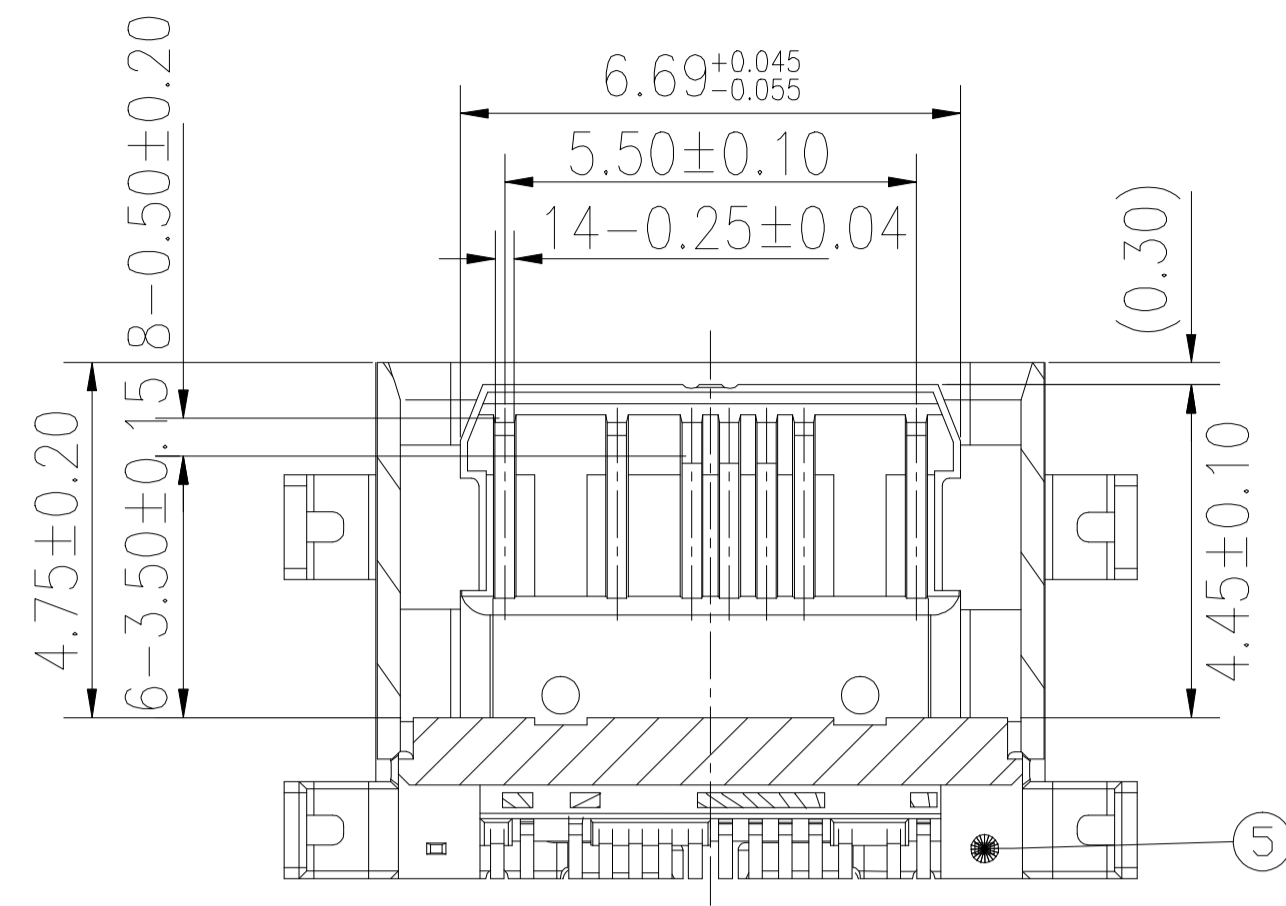
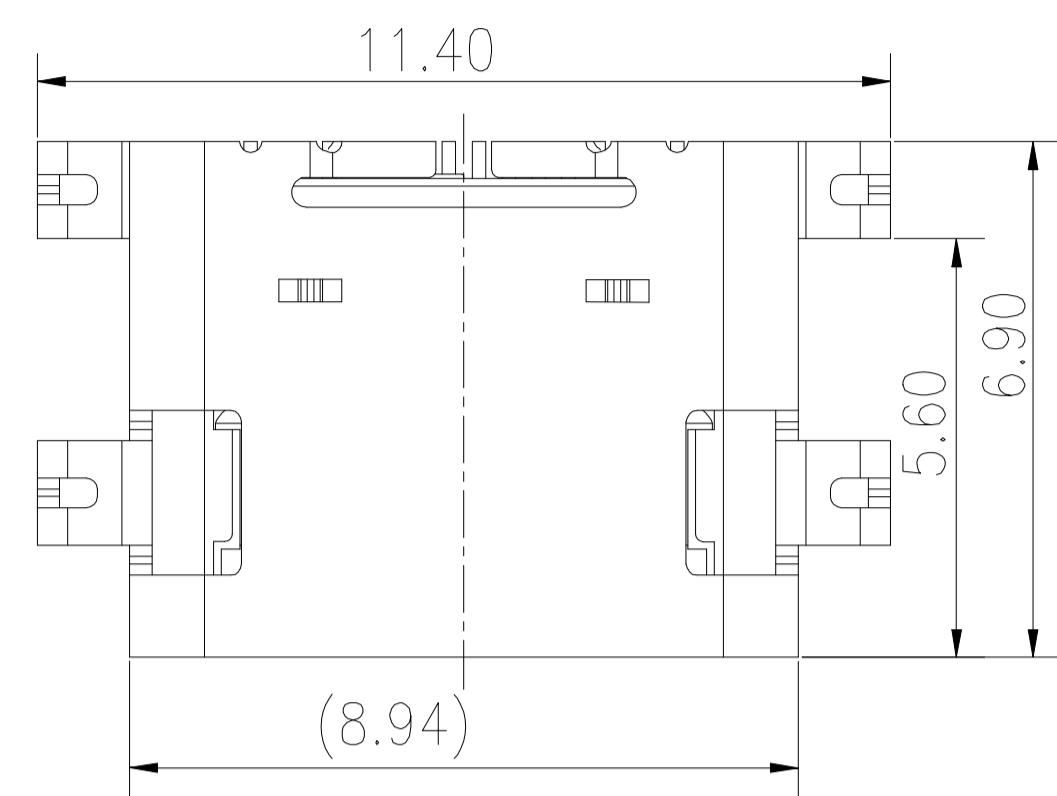
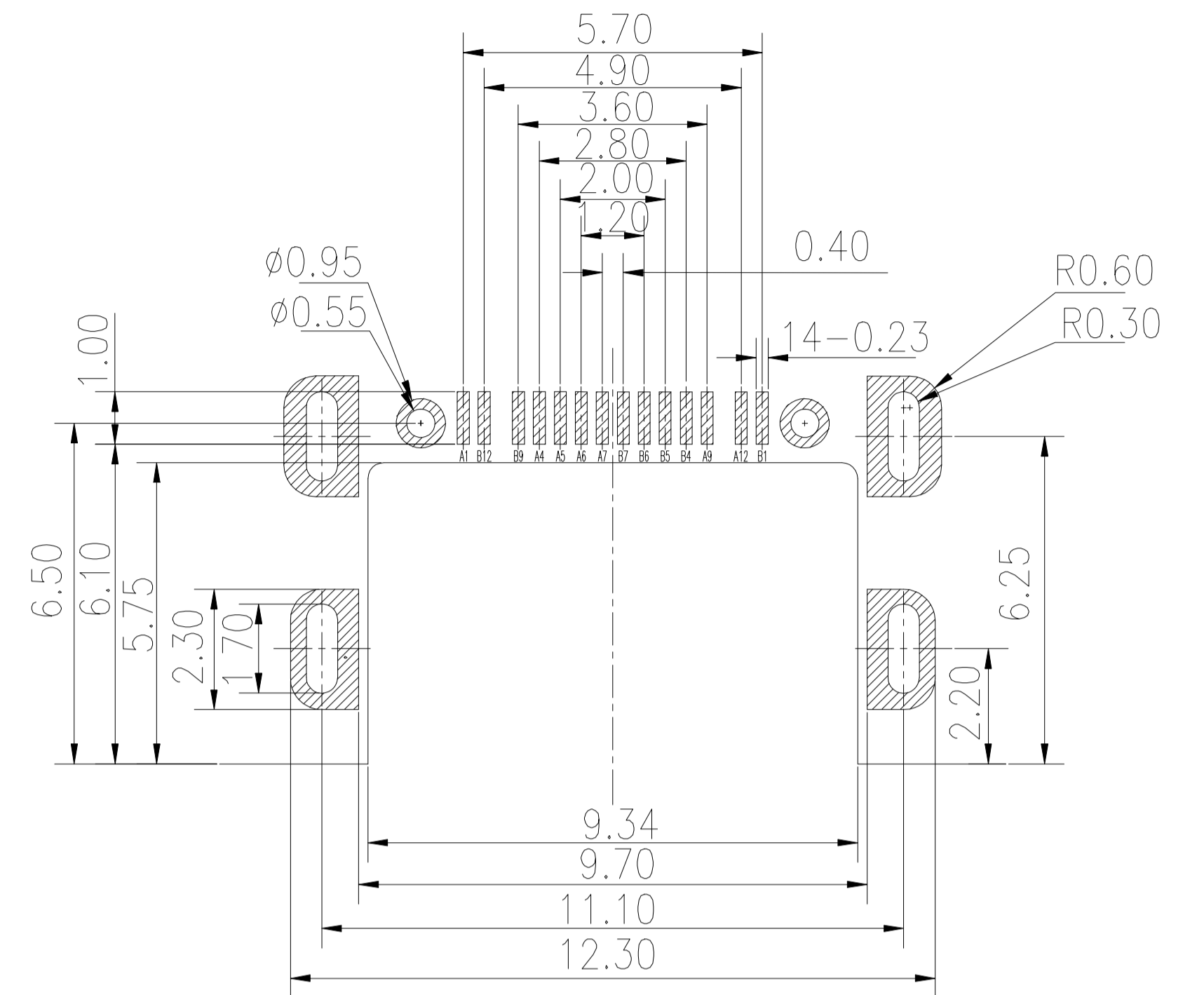
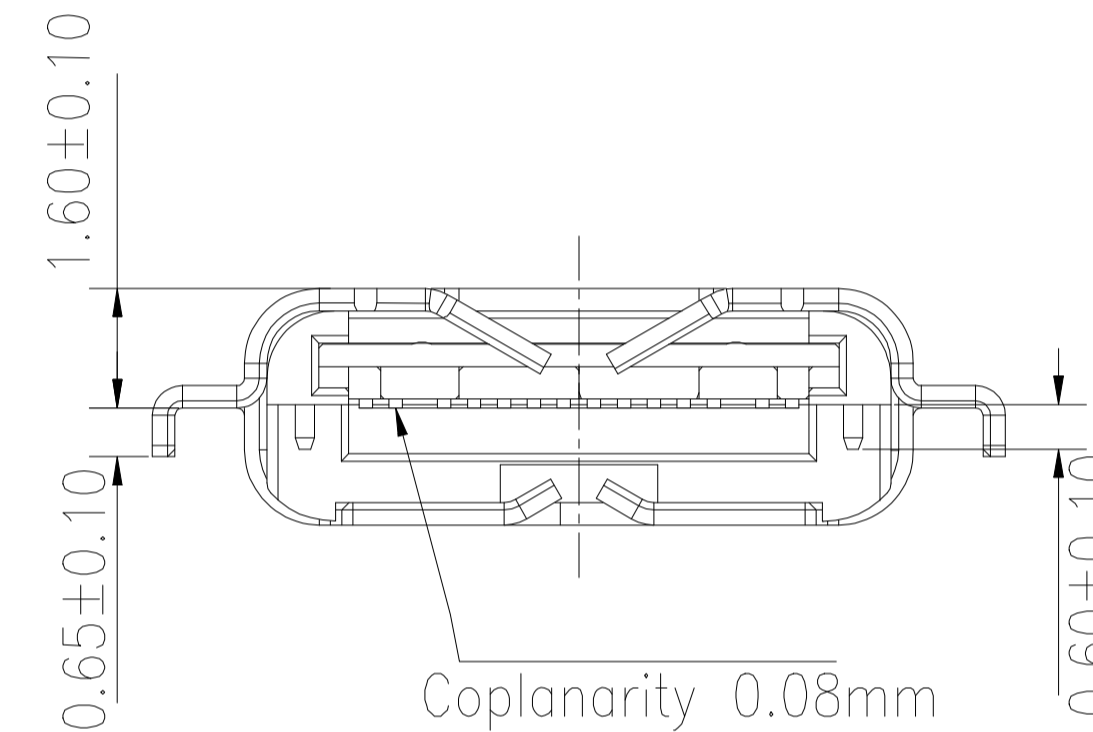
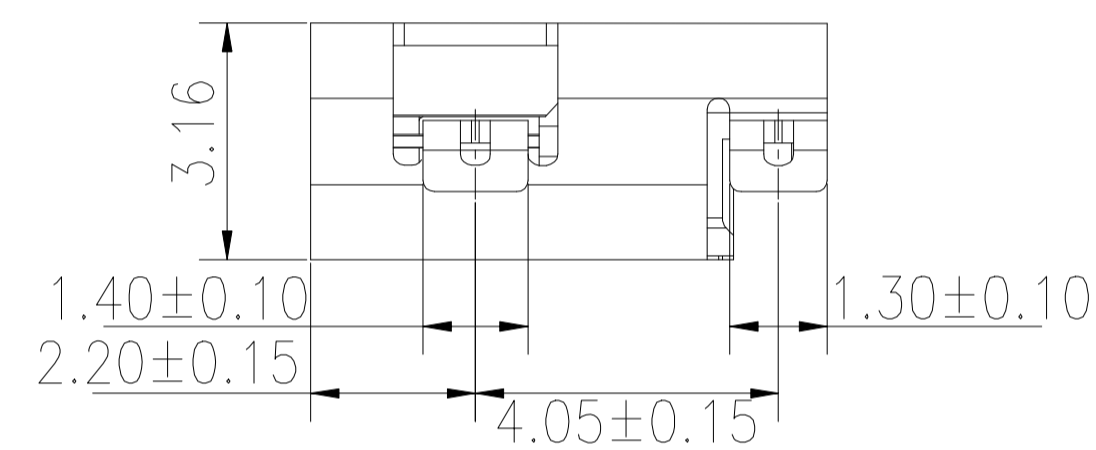
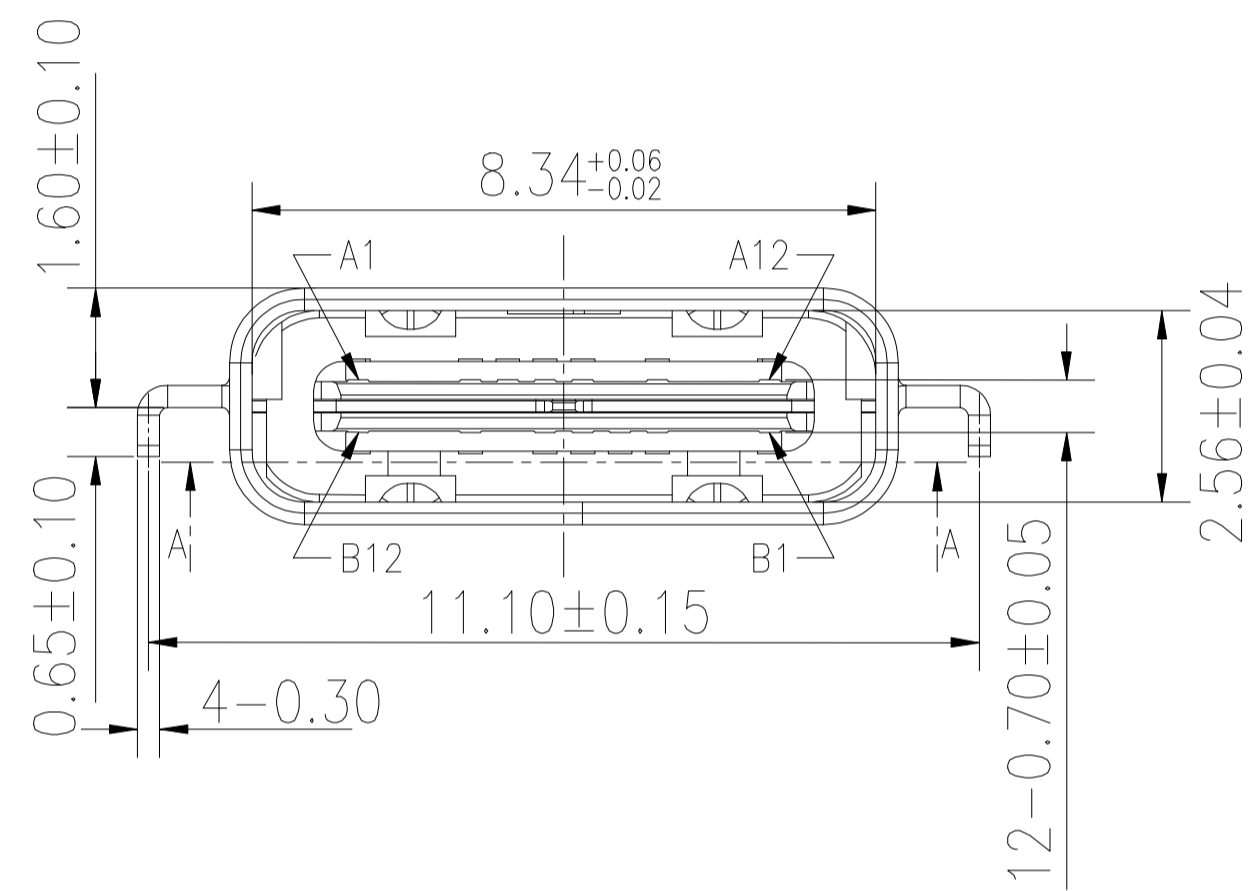


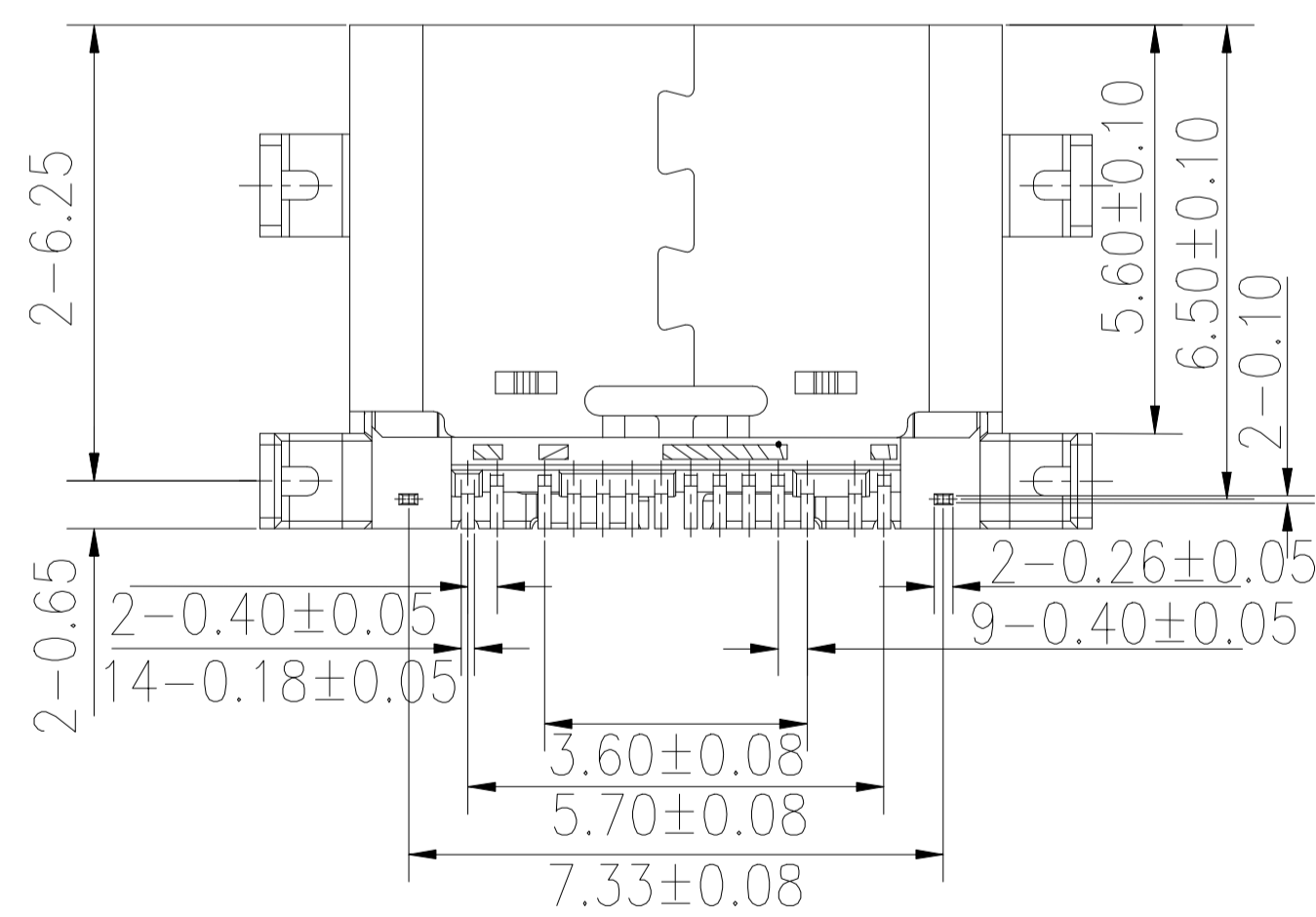
REV.	DATE	ECN NO.	MODIFICATION	APPROVER
A	2016/11/21	/	NEW	Vicky



Section A-A



Recommend PCB Layout  
General Tolerance ±0.05



NOTE:

1.ELECTRICAL CHARACTERISTICS:

- 1.1 Contact current rating:1.25A max for gnd & vbus  
pin(A1,A12,B1,B12&A4,A9,B4,B9);  
0.25A for other pin.
- 1.2 Contact resistance:40mΩ max.
- 1.3 Dielectric withstanding voltage:100V AC.
- 1.4 Insulation resistance: 100 MΩ min.
- 1.5 Operating temperature:-45°C~+85°C.

2.MECHANICAL CHARACTERISTICS:

- 2.1 Insertion force:5~20N.
- 2.2 Extraction force:8~20N.
- 2.3 Durability mandatory:10000 cycles.

3.MATERIALS:

- 3.1 Housing:High temperature plastic,UL94V-0,Black.
- 3.2 Shell:Stainless steel,Ni plated all over,weldable.
- 3.3 Top-terminal:Copper alloy,Au plated on contact area.
- 3.4 Bottom-terminal:Copper alloy,Au plated on contact area.
- 3.5 Mid-plate:Stainless steel,Ni plated all over.

GENERAL TOLERANCE			UNITS	NAME: USB		
SELECT	✓		mm	PART NO: USB714FC-C2014200		
TOL.	1	2		TITLE: USB 2.0 14P FEMALE SMT C TYPE 沉板式 外壳四脚插板 短体		
ON.				APPD: Jason		
X.XXX	±0.10	±0.05	±0.15	DWG NO. ATOM-A03439		
X.XX	±0.15	±0.13	±0.25	CHKD: Vicky		
X.X	±0.25	±0.25	±0.50	DR: Cmy		
X.	±0.40	±0.38	±1.00	SCALE 1:1		
ANGLE	±3'			SHEET 1/1		
				REV A		