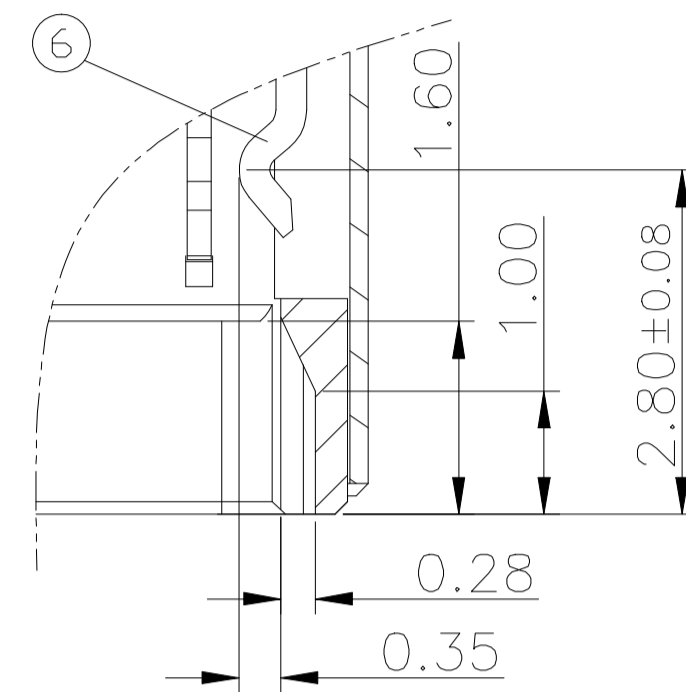
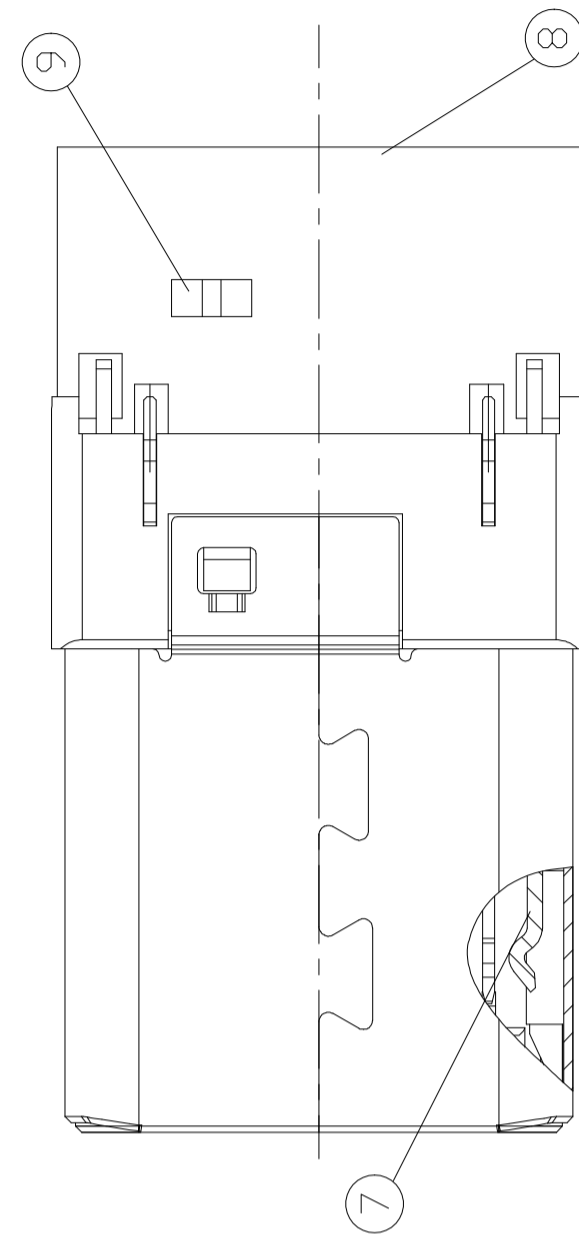
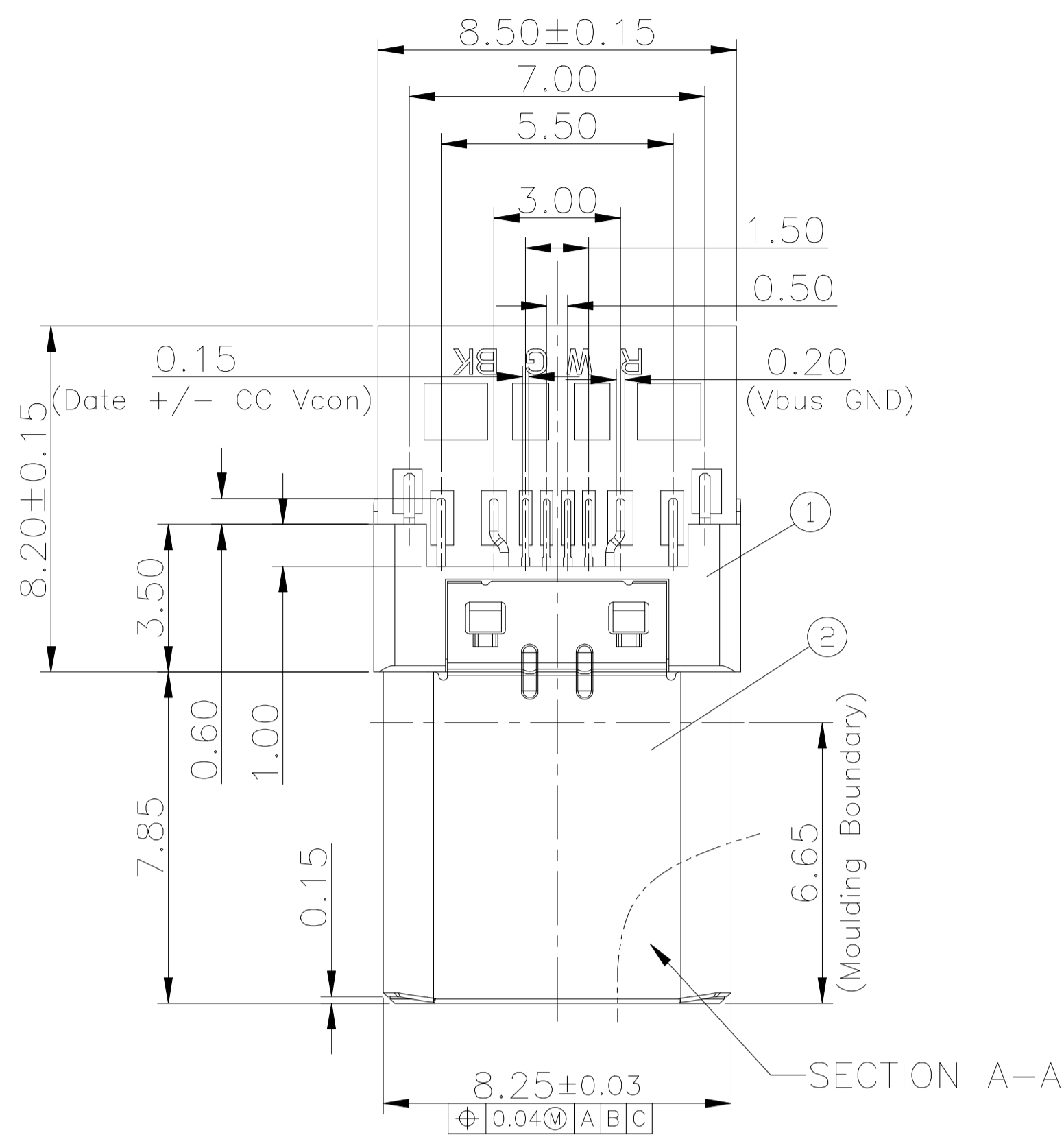
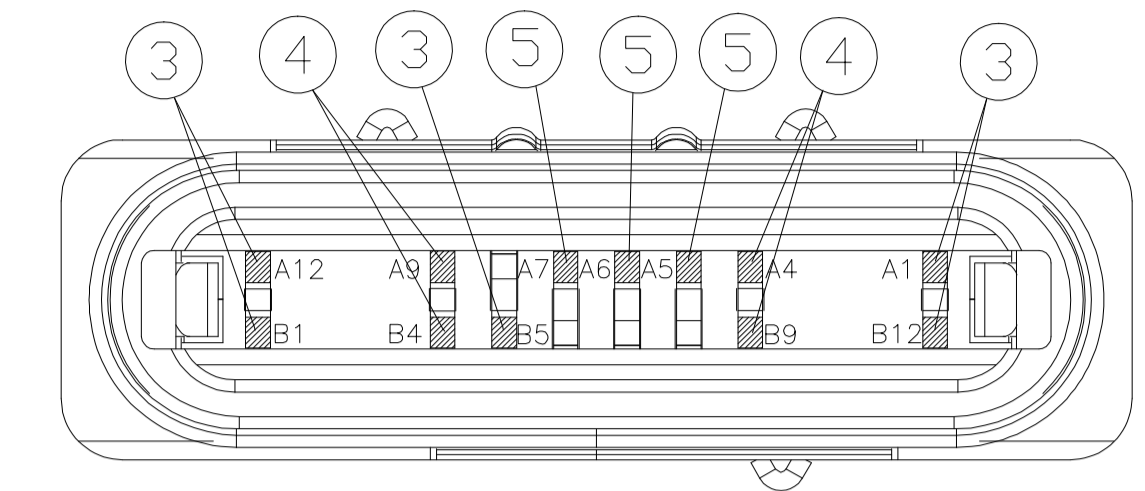


REV.	DATE	ECN NO.	MODIFICATION	APPROVER
A	2017/02/07	/	NEW	Vicky

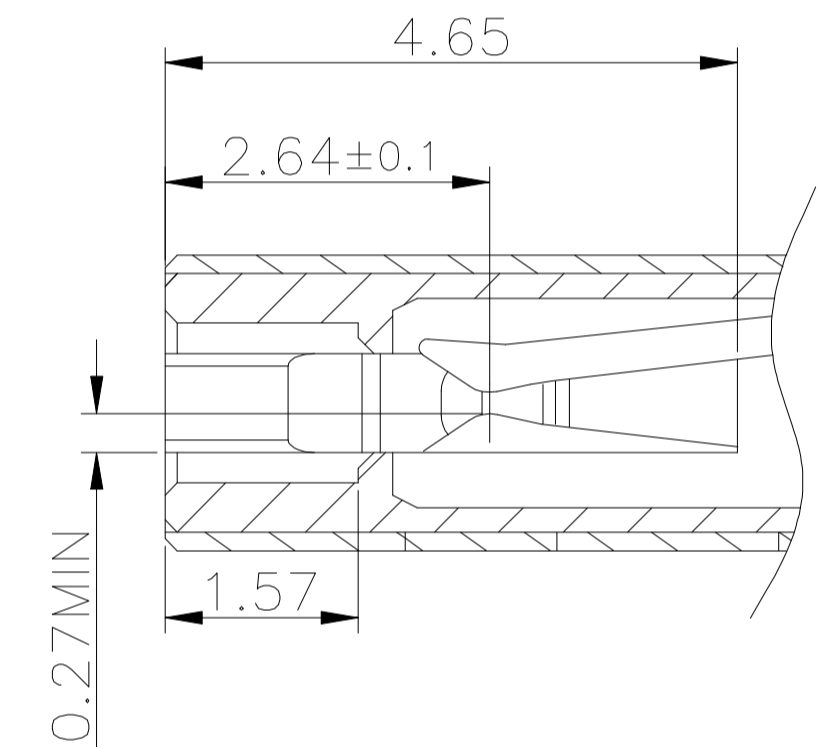
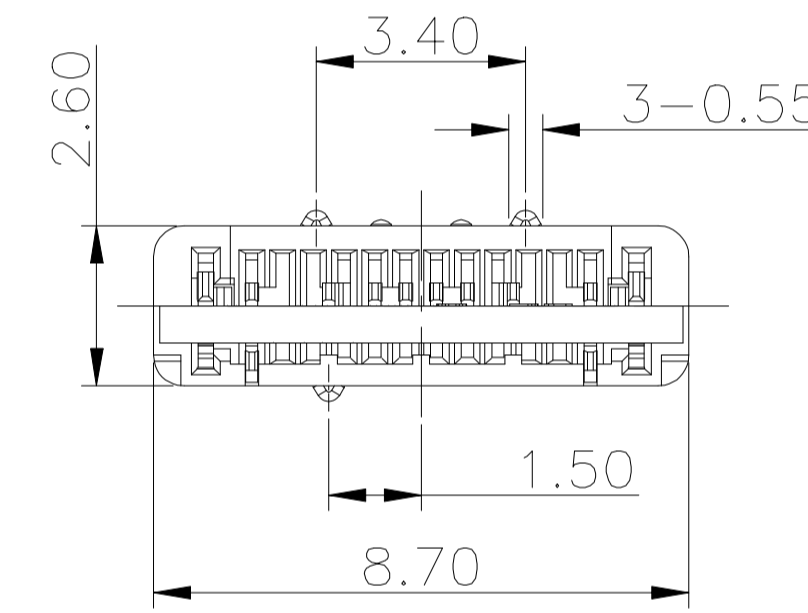
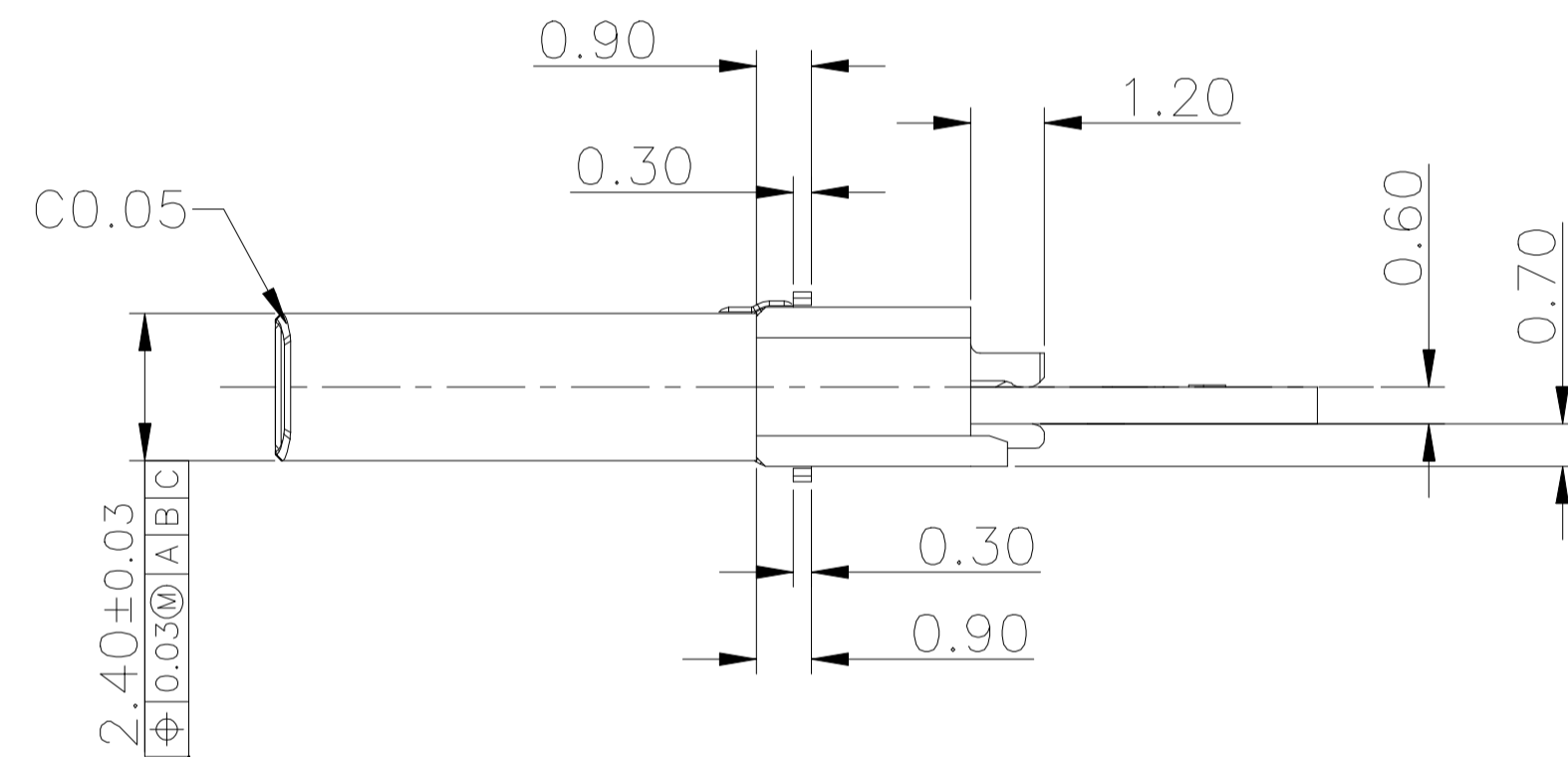
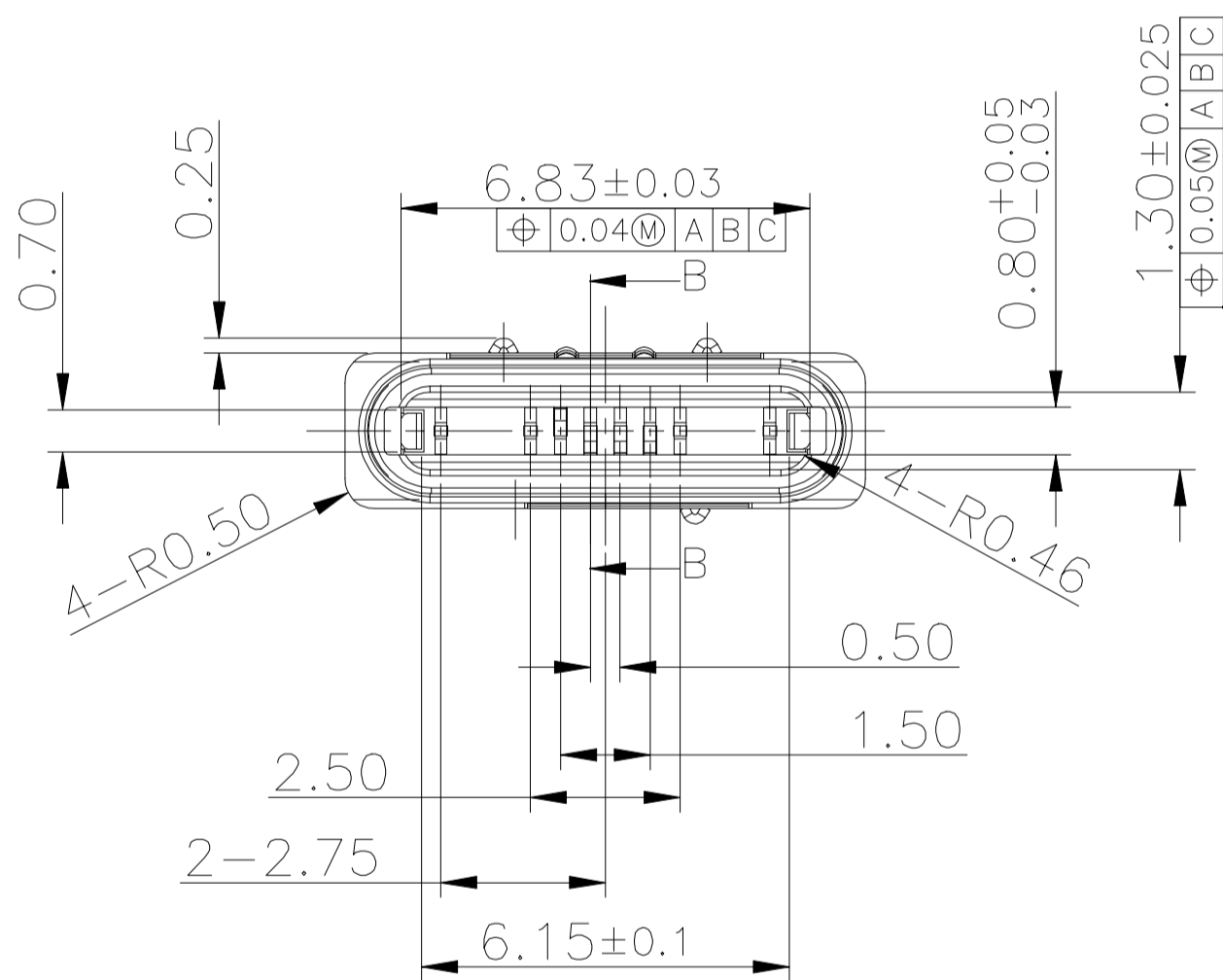


SECTION A-A  
SCALE 2:1



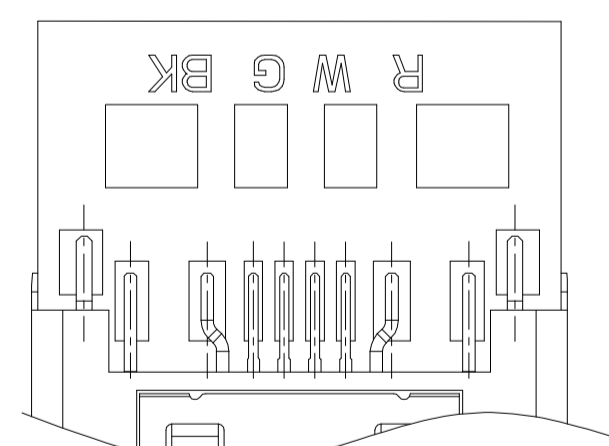
SCALE 10:1

A12	A11	A10	A9	A8	A7	A6	A5	A4	A3	A2	A1
GND			Vbus		D-	D+	CC	Vbus			GND
GND			Vbus	Vcon				Vbus			GND
B1	B2	B3	B4	B5	B6	B7	B8	B9	B10	B11	B12



SECTION B-B  
SCALE 2:1

PAD	Pin No.
BK	A1,A12,B1,B12,LATCH
G	A6
W	A7
R	A4,A5,A9,B4,B9



SCALE 5:1

No.	Part Name	Q'ty	Description
9	Resistance	1	0402 56KΩ ±1 1/16W
8	PCB	1	FR-4,Green solder liquid photosensitive ink,white text
7	Left Latch Spring	1	Stainless steel,ni all over
6	Right Latch Spring	1	Stainless steel,ni all over
5	Terminal_D+/D-/CC	3	Copper alloy,au on contact area,au on solder tail,ni all over.
4	Terminal_Vbus	1+1	Copper alloy,au on contact area,au on solder tail,ni all over.
3	Terminal_GND/Vcon	2+1	Copper alloy,au on contact area,au on solder tail,ni all over.
2	Shell	1	Stainless steel,Ni all over.
1	Housing	1	High temperature plastic,UL94V-0,black.

NOTE:

1.ELECTRICAL CHARACTERISTICS:

- 1.1 Contact resistance:40mΩ max.
- 1.2 Dielectric withstanding voltage:100V AC.
- 1.3 Insulation resistance: 100 MΩ min.

2.MECHANICAL CHARACTERISTICS:

- 2.1 Insertion force:5~20N.
- 2.2 Extraction force:8~20N.
- 2.3 Durability mandatory:10000 cycles.
- 2.4 Operating temperature:-45°C~+85°C.

GENERAL TOLERANCE			UNITS mm	
SELECT	1	2		3
TOL.	✓			MAT'L
ON.	1	2	3	
X.XXX	±0.03	±0.05	±0.15	FINISH
X.XX	±0.05	±0.13	±0.25	
X.X	±0.10	±0.25	±0.50	Q'TY
X.	±0.20	±0.38	±1.00	
ANGLE	±2'			

NAME: USB			
PART NO: USB708MC-E2021400		TITLE: USB 2.0 8P MALE C TYPE 夹板式 带PCB板	
APPD: Jason	DWG NO. ATOM-A03442		
CHKD: Vicky	SCALE	SHEET	REV
DR: Cmy	1:1	1/1	A