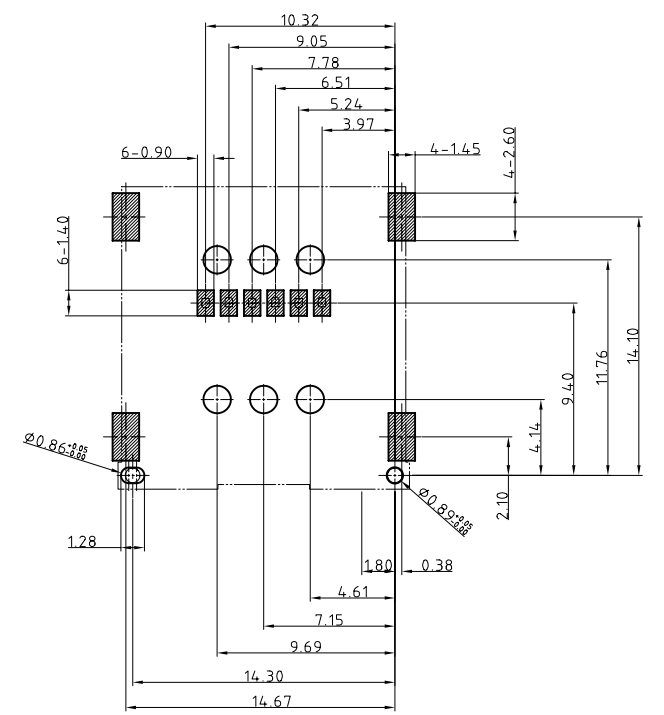
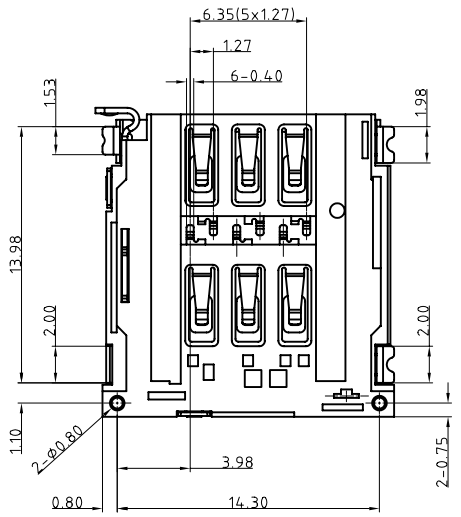
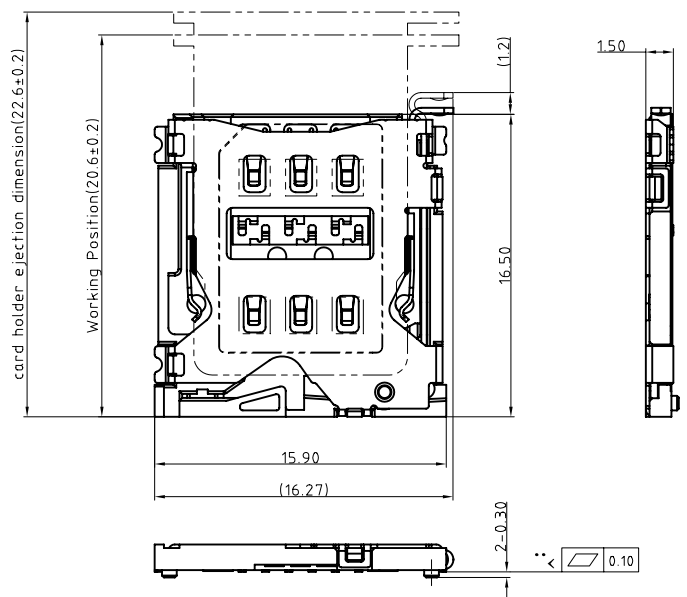
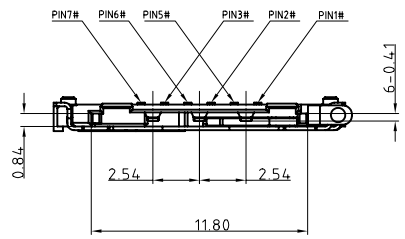


|      |            |         |              |          |
|------|------------|---------|--------------|----------|
| REV. | DATE       | ECN NO. | MODIFICATION | APPROVER |
| A    | 2015/12/15 | /       | NEW          | Vicky    |



|        |     |
|--------|-----|
| PIN 1# | VCC |
| PIN 2# | RST |
| PIN 3# | CLK |
| PIN 5# | GND |
| PIN 6# | VPP |
| PIN 7# | I/O |

|      |           |      |                            |
|------|-----------|------|----------------------------|
| 5    | LEVER     | 1    | SUS,                       |
| 4    | CAM       | 1    | SUS,                       |
| 3    | SHELL     | 1    | SUS, GOLD PLATING          |
| 2    | HOUSING   | 1    | LCP, BLACK                 |
| 1    | CONTACT   | 1    | BRONZE ALLOY, GOLD PLATING |
| ITEM | PART NAME | Q'TY | DESCRIPTION                |

- NOTES:
- ELECTRICAL CHARACTERISTICS:
    - CURRENT RATING: 1 Amp/PIN. MAX.
    - VOLTAGE: 30V DC. MAX.
    - LOW LEVEL CONTACT RESISTANCE: 30 mOhms MAX. INITIALLY.
    - DIELECTRIC WITHSTANDING VOLTAGE: 500V AC MIN. FOR 1 MINUTE.
    - INSULATION RESISTANCE: 100MOhms MIN.(DC 500V FOR 1 MINUTE)
  - MECHANICAL CHARACTERISTICS:
    - DURABILITY: 1500 CYCLES.
    - OPERATING FORCE (INSERTING & WITHDRAWAL): 1N-10N.
  - ENVIRONMENTAL CHARACTERISTICS:
    - OPERATING TEMP. RANGE: -25°C TO 85°C. (INCLUDING TERMINAL TEMP. RISE)
    - STORAGE TEMP.: -40°C TO 85°C.
  - QUANTITY OF PRODUCTS: 1000PCS/REEL.

|                   |       |       |       |
|-------------------|-------|-------|-------|
| GENERAL TOLERANCE |       |       |       |
| SELECT            | ✓     |       |       |
| ON.               | 1     | 2     | 3     |
| X.XXX             |       | ±0.05 | ±0.15 |
| X.XX              | ±0.13 | ±0.13 | ±0.25 |
| X.X               | ±0.15 | ±0.25 | ±0.50 |
| X.                | ±0.20 | ±0.38 | ±1.00 |
| ANGLE             | ±2'   |       |       |

NAME: NANO SIM

PART NO: SI45C-08200

APPD: Vicky

CHKD: Doris

DR: Jillian

TITLE: NANO SIM CARD 6P SMT H=1.5mm

DWG NO. ATOM-A02882

|       |       |     |
|-------|-------|-----|
| SCALE | SHEET | REV |
| 1:1   | 1/1   | A   |