

0.039" X 0.039"(1.0mm X1.0mm) Female Header

1.0mm

Dual Row 06 to 100 contacts

SMT Type Profile: 2.25mm

Unit: mm

APPLICATION AND FEATURES

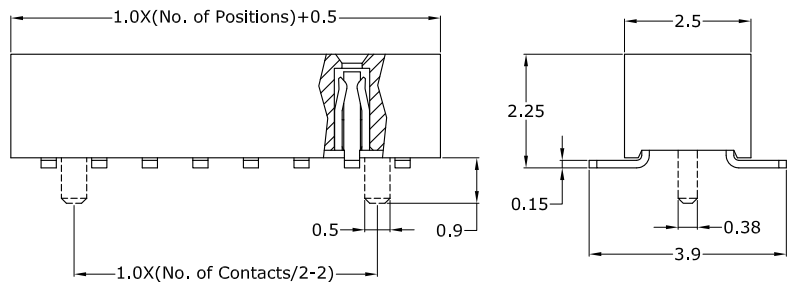
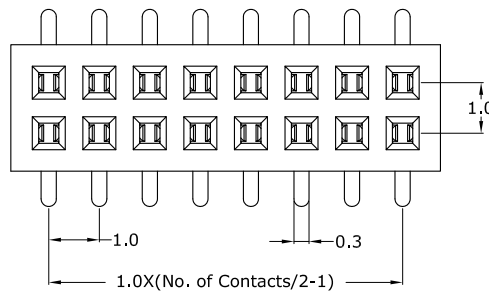
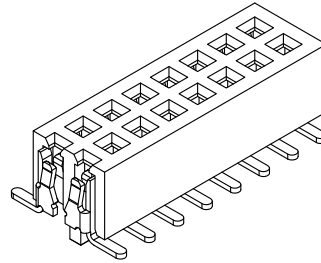
Variable with gold plated.
Mates with:L120,L121

SPECIFICATION

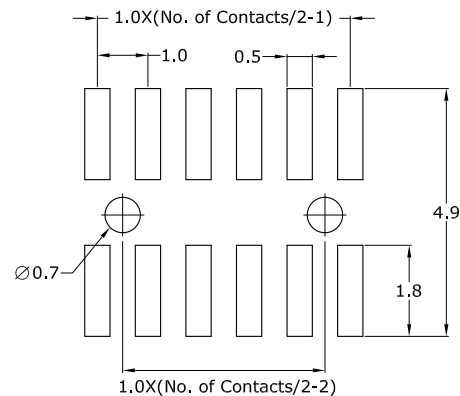
Current Rating: 1 Amps
Insulator Resistance: 1000 Megohms min
Dielectric Withstanding: AC 500 V
Operating Temperature: - 40° ~ +105° C
Contact Material: Copper Alloy
Insulator Material: Polyester,UL 94V-0
Finish: Tin,Gold Plated
Standard: Gold Flash all over

Ordering Information

L220 : Product Series
|
X : Connector Type (Straight Type)
| 1: w/o post
| 2: with post
X X : Number of Contacts
| No. of Contacts = Code
| 06 thru 100
|
X : Plated Option
| 1: Full Tin
| 2: Gold Flash
| 3: Gold 5u"
| 4: Gold 10u"
| 5: Gold 15u"
| 6: Gold 30u"
| 7: Option
| (Standard: 2)



Recommended P.C Board SMT Layout



Products specifications are subject to be changed without notice
Please contact sales office for further confirmation.