

0.079"(2.0mm) Female Header

Single Row 03 to 40 Contacts

Thru-Hole Type Profile: 4.3mm

APPLICATION AND FEATURES

Low Profile: 4.3mm height.
 High quality dual beam phosphor bronze contacts.
 Designed for board to board small spacing interconnection.
 Standoffs facilitate post soldering clean.
 Mates with: Q110, Q111, Q113, Q114

SPECIFICATION

Current Rating: 1 Amps
 Insulator Resistance: 5000 Megohms min
 Dielectric Withstanding: AC 500 V
 Operating Temperature: - 40° ~ +105° C
 Contact Material: Copper Alloy
 Insulator Material: Polyester, UL 94V-0
 Finish: Tin, Gold Plated
 Standard: Gold Flash all over

Ordering Information

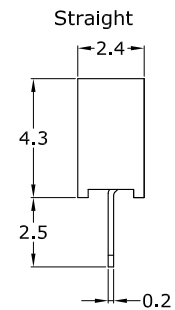
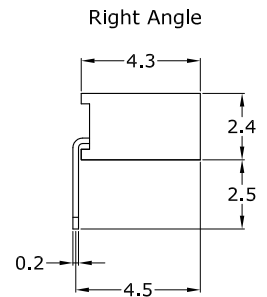
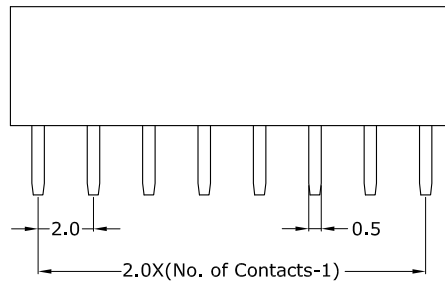
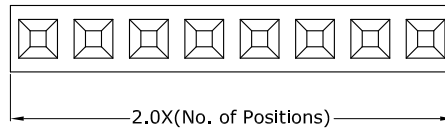
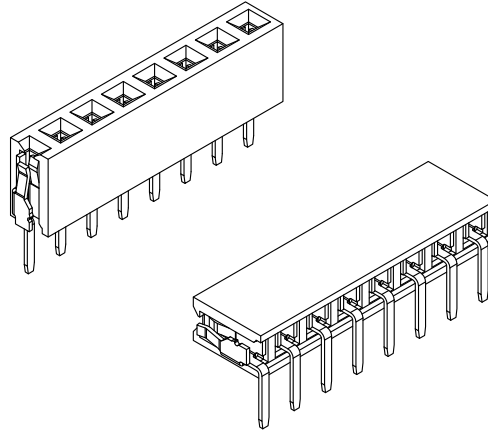
Q210 : Product Series

X : Connector Type
 S: Straight Type
 R: Right Angle Type

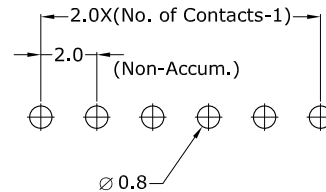
X X : Number of Contacts
 No. of Contacts = Code
 03 thru 40

X : Plated Option
 1: Full Tin
 2: Gold Flash
 3: Gold 5u"
 4: Gold 10u"
 5: Gold 15u"
 6: Gold 30u"
 7: Option
 (Standard: 2)

Unit: mm



Recommended P.C Board Hole Layout



Products specifications are subject to be changed without notice
 Please contact sales office for further confirmation.