

0.05" X 0.05"(1.27mm X 1.27mm) Pin Header Box Type

Dual Row 10 to 100 contacts

SMT Type Profile: 5.6mm

APPLICATION AND FEATURES

Variable pin length, gold plated
Mates with: N222, N223, N224

SPECIFICATION

Current Rating: 1 Amps
Insulator Resistance: 5000 Megohms min
Dielectric Withstanding: AC 500 V
Operating Temperature: - 40° ~ +105° C
Contact Material: Copper Alloy
Insulator Material: Polyester, UL 94V-0
Finish: Tin, Gold Plated
Standard: Gold Flash all over

Ordering Information

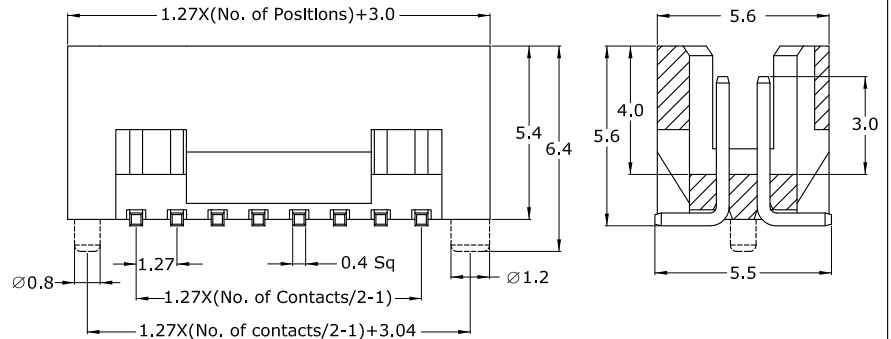
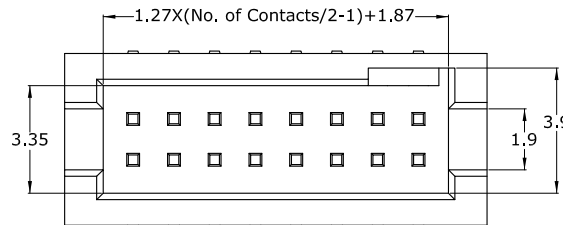
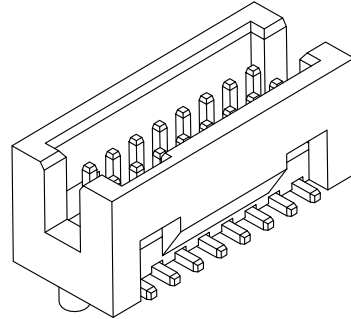
N141 : Product Series

X : Connector Type
1: w/o post
2: with post

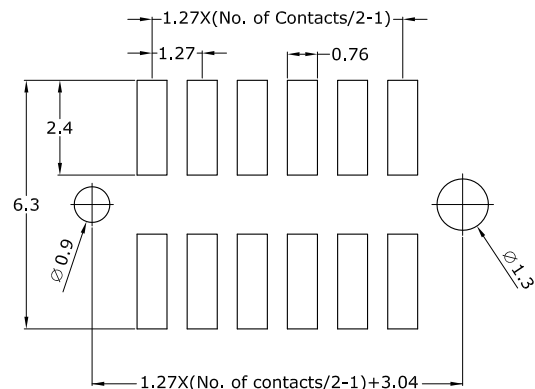
X X : Number of Contacts
No. of Contacts = Code
10 thru 100

X : Plated Option
1: Full Tin
2: Gold Flash
3: Gold 5u"
4: Gold 10u"
5: Gold 15u"
6: Gold 30u"
7: Option
(Standard: 2)

Unit: mm



Recommended P.C. Board SMT Layout



Products specifications are subject to be changed without notice
Please contact sales office for further confirmation.