

0.079"(2.0mm) Female Header

Single Row 03 to 40 Contacts

SMT Type Profile: 4.6mm

APPLICATION AND FEATURES

Low Profile: 4.6mm height.
High quality dual beam phosphor bronze contacts.
Mates with: Q110, Q111, Q113, Q114

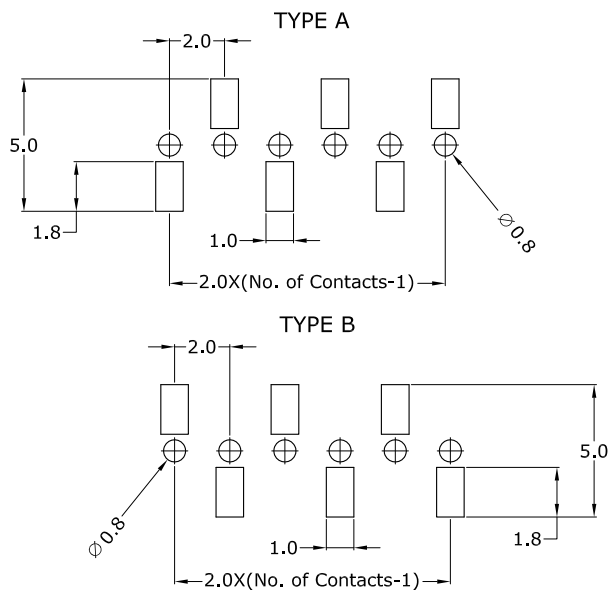
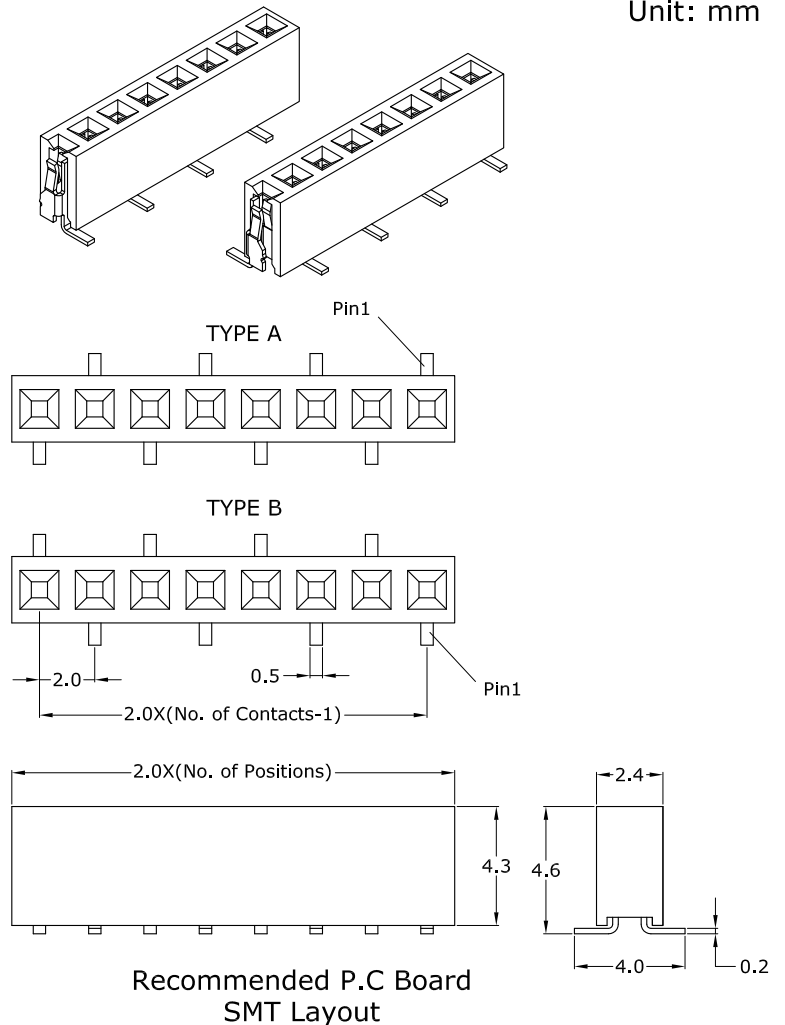
SPECIFICATION

Current Rating: 1 Amps
Insulator Resistance: 5000 Megohms min
Dielectric Withstanding: AC 500 V
Operating Temperature: - 40° ~ +105° C
Contact Material: Copper Alloy
Insulator Material: Polyester, UL 94V-0
Finish: Tin, Gold Plated
Standard: Gold Flash all over

Ordering Information

Q211 : Product Series
|
X : Connector Type (Straight Type)
| A: TYPE A
| B: TYPE B
|
X X : Number of Contacts
| No. of Contacts = Code
| 03 thru 40
|
X : Plated Option
| 1: Full Tin
| 2: Gold Flash
| 3: Gold 5u"
| 4: Gold 10u"
| 5: Gold 15u"
| 6: Gold 30u"
| 7: Option
| (Standard: 2)

Unit: mm



Products specifications are subject to be changed without notice
Please contact sales office for further confirmation.